



RT-14

Datasheet

Specifications

RF Frequency	2.4GHz
Range	24 Feet
Connection Type	RJ45
Function	Up/Down/Stop (Momentary/Non-Momentary)
Weight	0.25 lbs
Remote Size (L x H x W)	5.50" x 0.80" x 2.20"
Receiver Size (L x H x W)	2.81" x 1.08" x 1.97"
Warranty	18 Months
Compatibility	FLTCON Series (1,2,3,4), FLT Table Lifts
Battery Type	2 x AAA Batteries

Have any queries? Our expert engineers are here to help!



sales@progressiveautomations.com

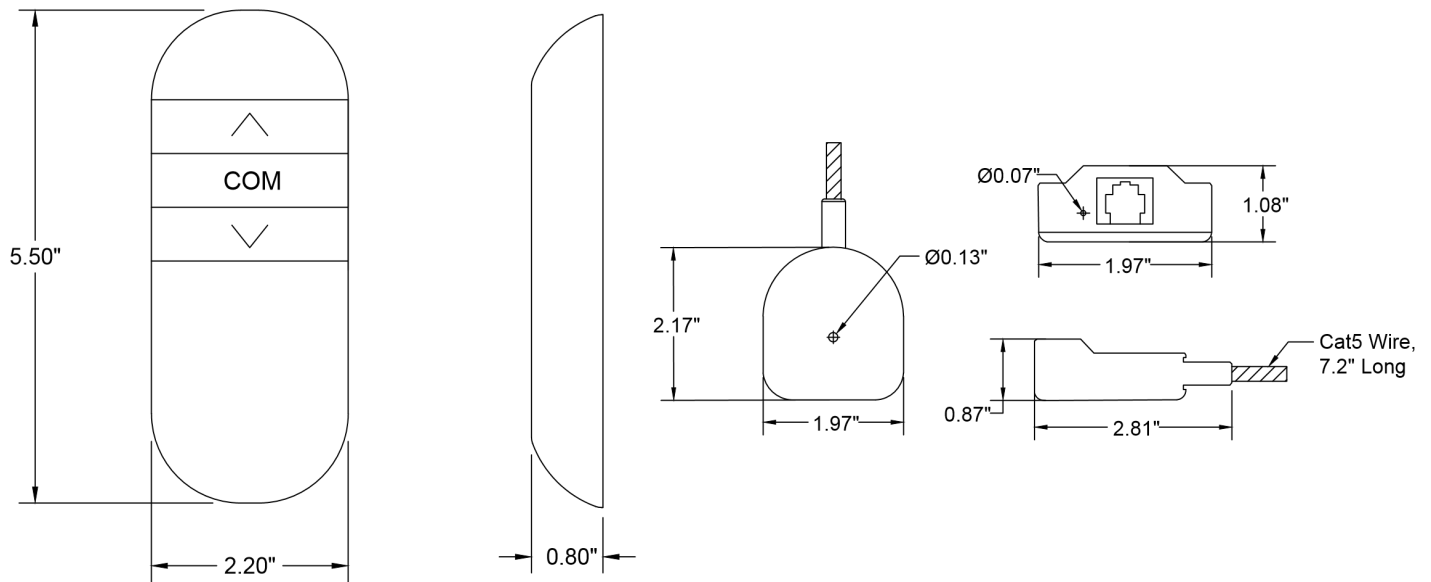


1-800-676-6123



progressiveautomations.com

Dimensions



Operating Notes

Connect the receiver to the FLT control box. To pair the remote, press and hold the "connect" button located in the pinhole on the receiver. While holding the connect button, press both the ^ and v button on the remote until the light on the remote turns on.

Operating Notes

The RT-14 can be toggled between momentary and non-momentary functionality. In order to do this you must hold the COM button down for 10s.

Non-Momentary: Press the ^ button to raise/extend your unit. Unit will keep moving until it reaches upper limit or you can press any button to stop its movement cycle. Press the v button to lower/retract your unit. Unit will keep moving until it reaches lower limit or you can press any button to stop its movement cycle.

Momentary: Press and hold the ^ button to raise/extend your unit, release the button to stop its movement cycle. Press and hold the v button to lower/retract your unit, release the button to stop its movement cycle.