

PROGRESSIVE

BED



Scan for more information

DRIFT  
CLASSIC and PRO

User Manual

V 1.5

# Table of Contents

Safety Warnings.....	3
Specifications.....	5
Dimensional Drawing.....	6
Parts List.....	7
Assembly.....	10
Controls Guide.....	20
Drift Classic 9 Button Wireless Remote.....	21
Drift Pro 13 Button Wireless Remote.....	22
Troubleshooting.....	23



**Have any queries? Our expert engineers are here to help!**



[sales@progressivebed.com](mailto:sales@progressivebed.com)



1-800-828-9381



[progressivebed.com](http://progressivebed.com)

# Safety Warnings

## PRODUCT LIABILITY

---

The Company has no liability (and there is no basis for any present or future action, suit, proceeding, hearing, investigation, charge, complaint, claim, or demand against any of them giving rise to any liability) arising out of any injury to individuals or property because of the ownership, possession, or use of any product manufactured, sold, leased, or delivered by Progressive Bed.

## WARRANTY

---

Opening or tampering with the components and operating outside of the advertised operating weight limits will void the warranty. Please refer to the warranty page on the Progressive Bed website for more information on warranty.

## CHILDREN AND PETS

---

1. Close supervision is necessary when the adjustable bed is under operation around children, pets, or those with certain disabilities.
2. Do not allow any person or pets under the adjustable bed at any time.
3. Store the remote control out of reach from children and pets when not in use.
4. Immediately dispose of all packing materials as they can pose a smothering risk to children and pets
5. This product is not intended for use by persons (including children) with reduced physical, sensory, or mental capabilities.
6. To avoid injury, children must not play on the adjustable bed.

## MOVING AND ASSEMBLY

---

1. It is recommended that two or more people move and assemble this base due to its heavy weight.
2. To ensure safe handling, please lift the adjustable bed directly by the frame.
3. It is recommended to use gloves for moving and assembly.
4. Do not lift the bed if you have a back injury or any physical conditions that may be triggered by heavy lifting.
5. Due to the size and weight of this base, we recommend assembling it in the room intended for its use.
6. Make sure to carefully follow and complete all instructions provided prior to use. Using the product before completing the setup may damage the product or harm the user.
7. When assembling products that have electric cords, always:
  - a. Make sure the electrical cord is not plugged in before assembly.
  - b. Be careful not to twist the electrical cord during assembly.
8. Periodically check to ensure that all connectors (bolts, screws, etc.) are tightened.
9. Before use, make sure this bed is fully assembled.
10. Keep all packaging boxes, bags, and small parts out of children's reach.

## ELECTRICAL SAFETY

---

### TO REDUCE THE RISK OF SHOCK, BURNS, FIRE, OR INJURY

1. Do not use the bed base and contact a qualified third-party service center if: it has any damaged electrical components, exposed wires, or it has been exposed to water.
2. Keep the cord away from heat sources.
3. To disconnect the bed base, adjust to a flat position, turn off all controls, then remove the plug from the electrical outlet.
4. The bed base should be plugged directly into a wall outlet or surge protector (not supplied with this adjustable bed).
5. Never drop or insert any objects into the bed mechanism or controls.
6. Do not use liquids in or around the bed to ensure no spillage occurs. In case of spillage, the operator must stand in a dry, clean area of the floor and unplug the bed as soon as it is safe to do so.
7. Unplug the base before any cleaning or maintenance of the bed base.

8. Never operate the base when the air ventilation of the motor or controls are blocked.
9. Replace batteries immediately if found leaking or damaged. Do not touch with bare hands, as batteries can burn the skin. Dispose of batteries in accordance with local regulations.

## **CUSTOMERS WITH HEALTH CONCERNS**

---

1. Consult with your physician before using the adjustable bed.
2. Products contains neodymium magnets which may interfere with devices such as pacemakers, ICDs, and any other device sensitive to magnetic fields. Owners of such medical devices must consult their physician prior to using products that contain neodymium magnets.
3. If you have neck, back, or knee injuries, make sure to avoid simultaneous adjustment of two or more sections of the bed as there is a risk of injury. Do not press any of the pre-set buttons while lying on bed. Wait until the bed is fully adjusted before using it.
4. The adjustable bed produces varying levels of noise and vibrations while operating. Owners must consult with their physician before operating the adjustable bed for conditions that may be affected by this.
5. Do not operate the bed if you're using or wearing medical devices.
6. As with any product that produces a vibrating motion, it is possible that some pacemakers may interpret this motion as a false sense of movement and/or exercise. This may affect your pacemaker. If you have any concerns, you must consult with your physician. For information on disabling the vibrating motors, please contact customer service.

## **OPERATING NOTES**

---

1. It is critical that there are no obstructions beneath or around the adjustable bed at any point during operation.
2. This bed does not have safety features when folding up. Make sure that there are no objects to obstruct the bed's movement. Ensure that at the place of operation, there is sufficient space for the bed and user to operate in the full range of motion to avoid user injury or damage to property.
3. Make sure that cables and cords will not interfere with adjustable bed motion.
4. During operation, make sure the user's entire body is within the boundaries of the bed. Do not place extremities over the sides of the bed when operating the bed.
5. Keep your body clear of all moving parts to avoid injury.
6. Keep moving parts free of any obstructions. Common obstructions may include, but not limited to sheets, clothing, tubing, wiring, and electrical power cords.
7. Do not sit on the head or foot sections of the base while in the raised position or during movement.
8. The person lying on the bed must not allow anyone else to control the bed as this can lead to injuries.
9. Jumping or abrupt weight drops are not recommended during adjustment of the bed as it will lead to injury or damage.
10. The lift motors are not designed to operate continuously for more than two minutes in an 18-minute time period.
11. Attempting to exceed this rating will shorten the life expectancy of the product and will void the warranty.
12. Do not place any forms of fire including cigarettes or candles on or near the bed.
13. Distribute your body weight evenly over the bed's surface during operation.
14. Do not exceed the maximum weight limit mentioned in product specifications for each model.

## **INDOOR HOUSEHOLD USE ONLY**

---

1. This Progressive Bed product is designed for indoor and household use only. Not for hospital or commercial use and is not designed to meet hospital standards.
2. Do not use this bed near explosive gases or with tent-type oxygen therapy equipment.

## **REPLACEMENTS PARTS AND ACCESSORIES**

---

Replacement parts and accessories from third-party providers can be dangerous and may lead to injuries. Contact our customer support team for warranty repair or spare parts.

## **NEW PRODUCT SMELL**

---

There may be a 'new product smell' from their new adjustable bed. This is safe and is natural due to manufacturing process of specialized mattress foam. This smell typically dissipates before the product arrives but may linger for a few weeks. To hasten the dissipation of the smell, ensure there is adequate ventilation.

# Specifications

Model	Drift Classic	Drift Pro
Adjustments	Head (max 60°), Leg (max 40°)	
Underbed Lighting	-	Built-In LED
Massage	-	Back & Leg
Wall Hugger Mechanism	-	
USB Port	-	
Remote	Wireless - 9 Buttons	Wireless - 13 Buttons
Remote One-Touch Positions	2x Programmable Positions, Zero Gravity, Anti-Snore, Flat	
Adjustable Leg Options	3" legs / 6" legs / 3" + 6" legs	
Mattress Retainer Bar	Included	
Accessories	Battery Lock Wire (operation during power outage)	
Zero Clearance Bed Base	Yes	
Bed Slat Mounting	Requires Bed Slat Brackets (sold separately)	
Headboard Mounting	Requires Headboard Brackets (sold separately)	
Bluetooth Smart Control	Requires Bluetooth Adapter (sold separately)	
Safety Mechanism	Push-Only Motors (prevents motors from crushing obstructions and allows sections of the adjustable bed to be pushed up manually).	

## MATTRESS COMPATIBILITY

**NOTE:** Mattress not included.

Adjustable Bed Size	Twin XL	Queen	King and Split King
Size	38" x 80"	60" x 80"	76" x 80"/2 pcs 38" x 80"
Thickness	Maximum 12"		
Material	Foam, Latex		

## OTHER SPECIFICATIONS

Operating Voltage	100VAC to 240VAC		
Remote Battery	3x AAA (included)		
Dimensions	Refer to 'Dimensional Drawing' located on page 6.		
Bed Base Height <sup>2</sup>	4.76" to 13.76"		
Product Weight	98lbs	135lbs	196lbs
Frame Material	Steel		

<sup>2</sup>Refer to 'Bed Height Configuration' table located on page 12.

## PRODUCT OPERATING LIMITS

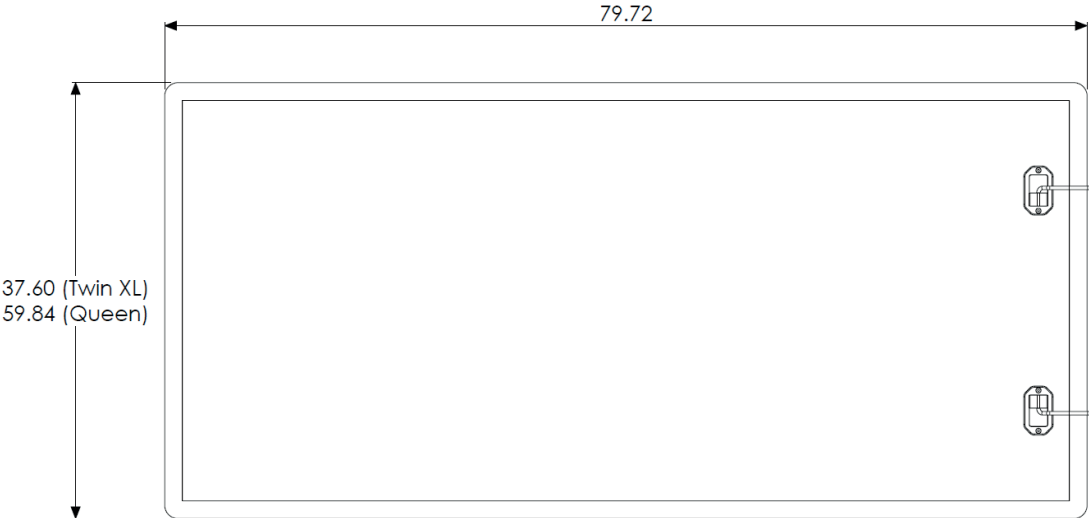
Weight Limit	400lbs	700lbs	800lbs
Movement Operation Time	2 minutes, rest for 18 minutes		
Massage Operation Time	30 minutes (auto shutoff) - no rest required		

# Dimensional Drawing

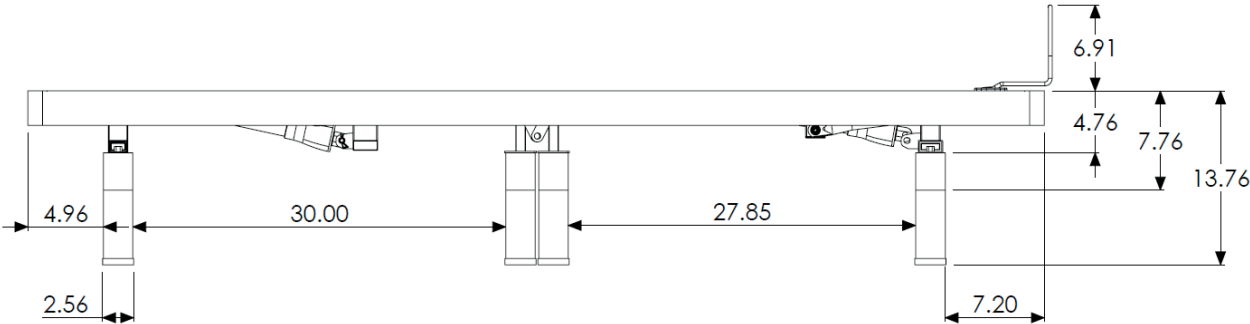
All dimensions are in inches.

King and Split King adjustable beds use 2x Twin XL beds, side-by-side.

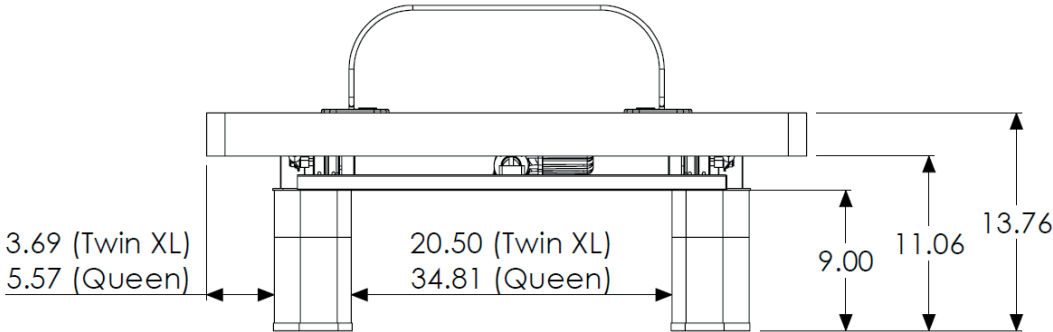
## TOP VIEW



## SIDE VIEW




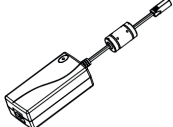

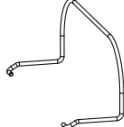
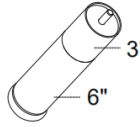


## END VIEW



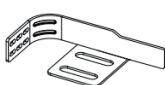
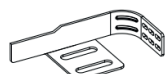
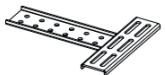
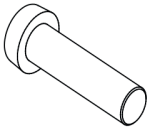


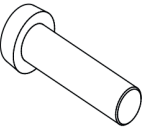
# Parts List




**Important:** The diagrams illustrated are for instructional reference only and may vary from the actual product. Please contact us if you have any missing or damaged components.

## PARTS LIST

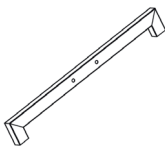
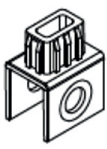



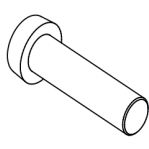

						
1x	1x	1x	1x	6x	1x	1x
Wireless Remote	Power Supply	AC Power Cord	Mattress Retainer Bar	3" & 6" Adjustable Legs	Sync Cord (Twin XL only)	Battery Lock Wire

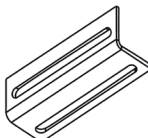

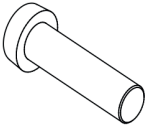


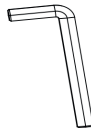
## OPTIONAL ACCESSORY: PB-AC02 HEADBOARD BRACKETS (SOLD SEPARATELY)

						
1x	1x	2x	8x (4x spare)	12x (4x spare)	4x	2x
Left Headboard Bracket Mount	Right Headboard Bracket Mount	T Bracket	M8x20 Socket Head Bolt	M8 Washer	M8 Lock Nut	M10x25 Button Head Socket Screws

		
2x	1x	1x
M10 Washer	6mm Hex Key	13mm Wrench

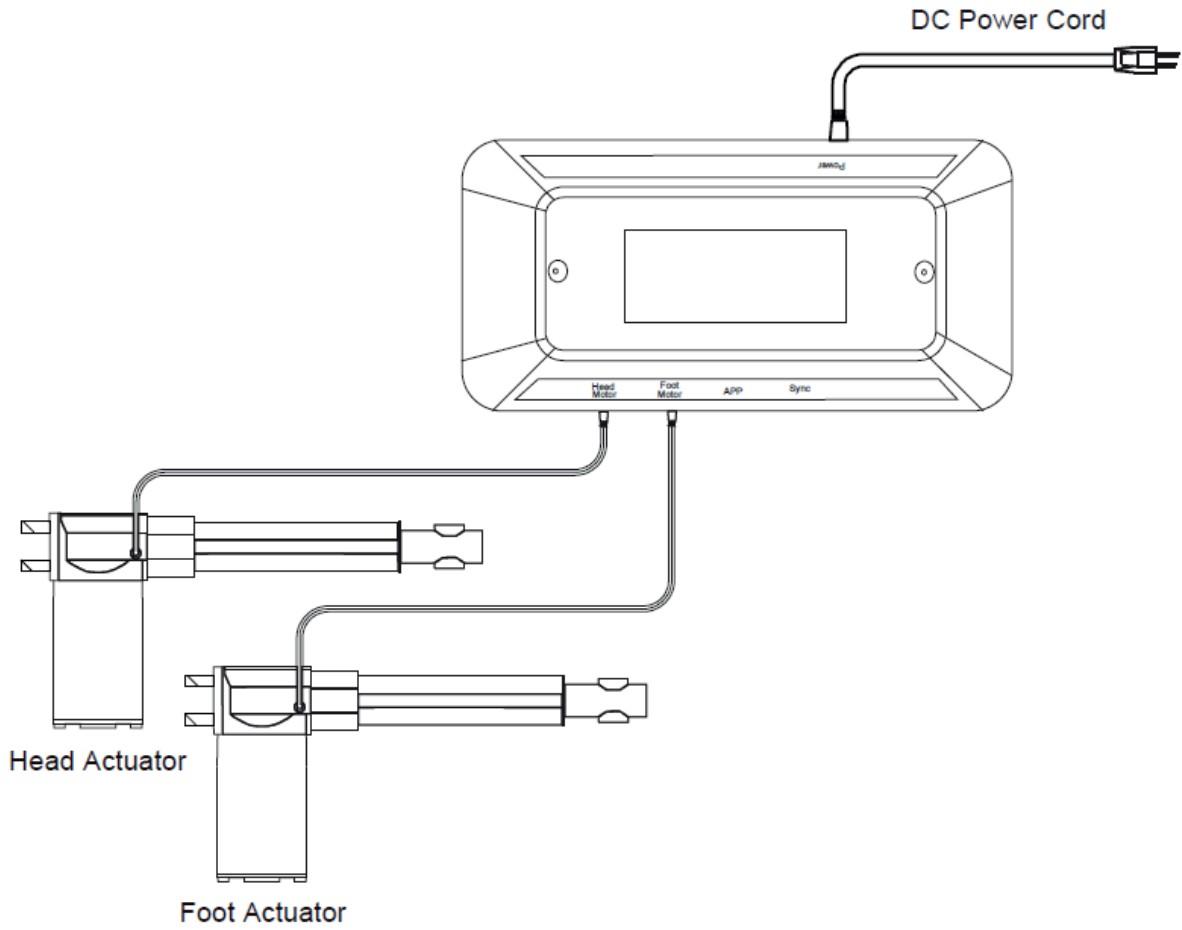
## OPTIONAL ACCESSORY: PB-AC04 BED SLAT BRACKETS (SOLD SEPARATELY)

						
4x	8x	8x	16x	8x	4x	16x
Frame Brace	Frame Brace Seat	Hinge Pin	Bushing	R-Clip	M8x35 Socket Head Bolt	M8 Washer

					
4x	4x	8x	4x	1x	1x
Bed Slat Bracket	M8 Lock Nut	M8x35 Socket Head Bolt	Bed Slat Plate	13mm Wrench	6mm Hex Key

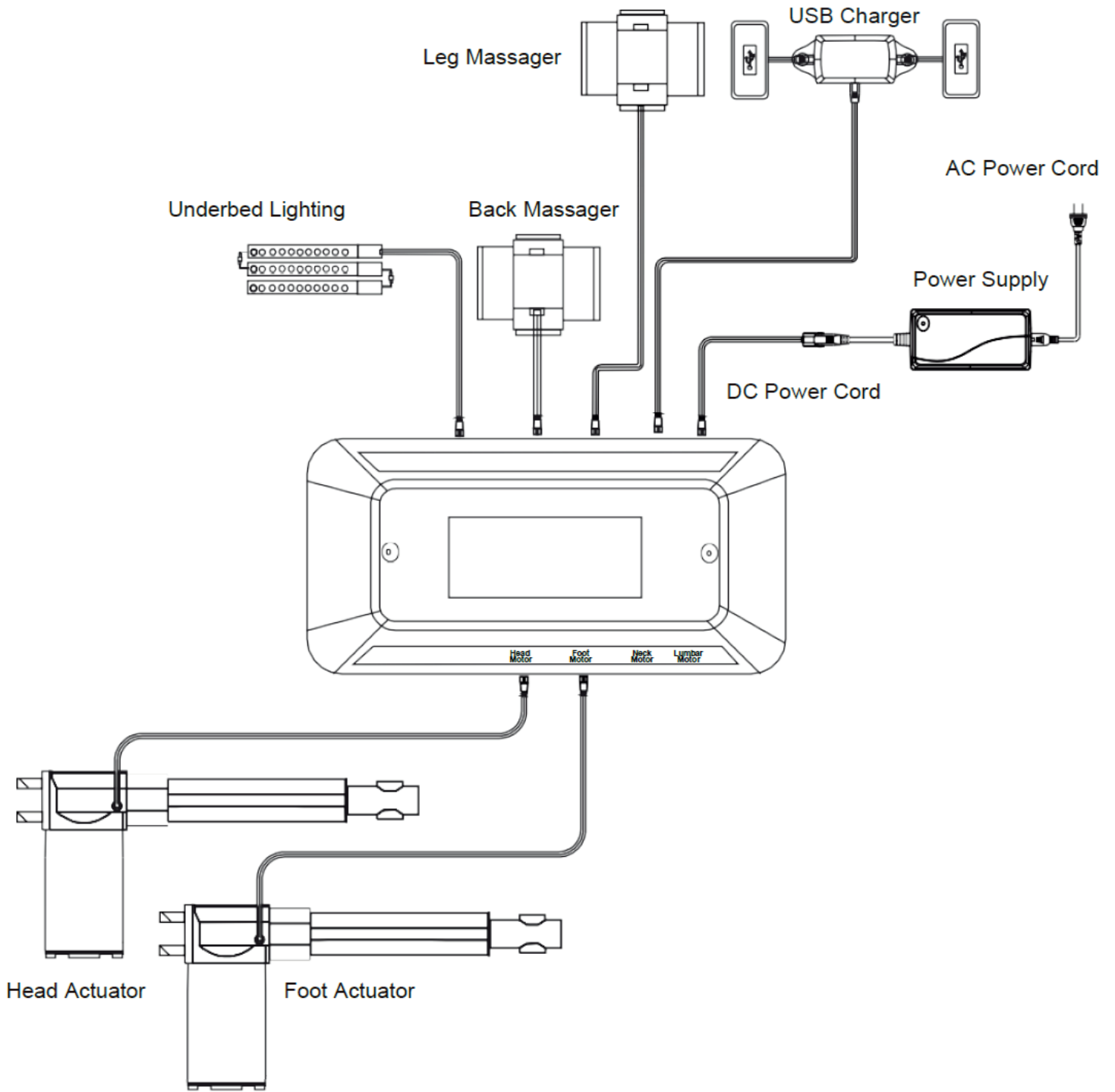
# DRIFT CLASSIC PARTS CONNECTION MAP

---





# DRIFT CLASSIC PARTS CONNECTION MAP



# Assembly

**Note:** Two people are required to assemble the adjustable bed. Please contact our customer service team for missing or damaged components as well as installation and troubleshooting.

## STEP 1: IDENTIFY BED CONFIGURATION

Depending on the desired configuration, please reference the table below for the parts required for each.

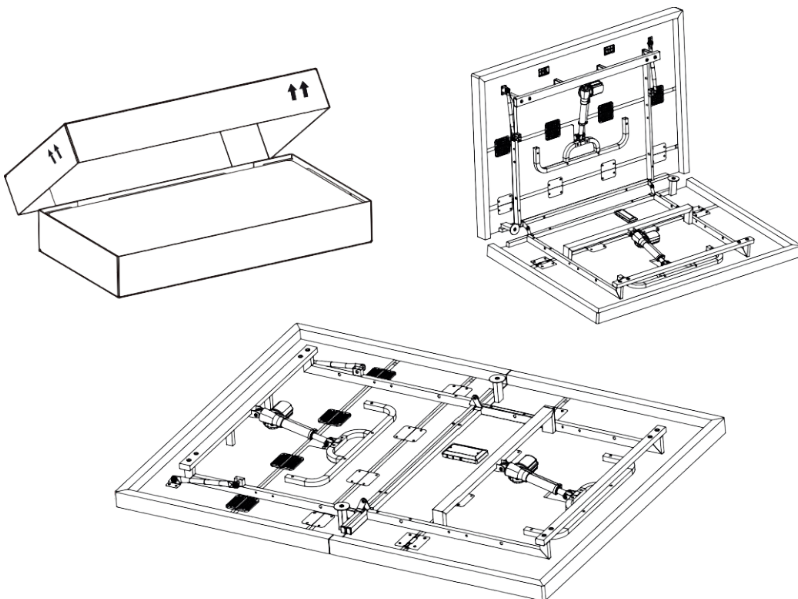
**King and Split King Configuration:** Consists of two Twin XL adjustable beds combined. Please proceed by assembling two individual Twin XL adjustable beds. On the last step of the assembly, you will find instructions on completing the King or Split King configuration.

Configuration	Operation	Wireless Remote (Included)	Sync Cord Required (Included)	Bluetooth Adapter (Optional, Sold Separately)	Headboard Brackets (Optional, Sold Separately)	Recommended Mattress (Sold Separately)
King	Operate both sides of the bed <b>together</b> .	1x Remote (1x spare remote)	Yes	1x	1x	1x King
Split King	Operate both sides of the bed <b>separately</b> .	1x Remote (1x spare remote)	No	2x	1x	2x Twin XL
Queen	Single bed.	1x Remote	No	1x	1x	1x Queen
Twin XL	Single bed.	1x Remote	No	1x	1x	1x Twin XL

## STEP 2: PREPARE FOR ASSEMBLY

**Important:** To ensure safe handling, please lift the adjustable bed directly by the frame.

Before discarding the packing materials, ensure that all the parts required are included by reviewing the 'Parts List' located on page 7. Lay the adjustable bed in the same location it will be installed, bottom-side up, on a clean and smooth surface.



## STEP 3: (OPTIONAL) ASSEMBLE HEADBOARD BRACKETS ASSEMBLIES (SOLD SEPARATELY)

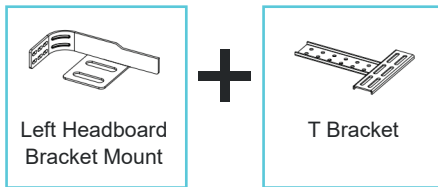
### Step A: Confirm compatibility with Bed Height Configuration

Before continuing, refer to Step 4: 'Bed Height Configuration' located on page 12 to confirm compatibility.

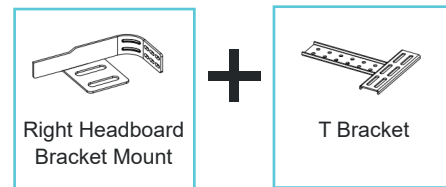
### Step B: Identify the Left and Right Headboard Bracket Assembly parts

Pair the bracket assembly parts according to the diagram.

#### Left Bracket Assembly



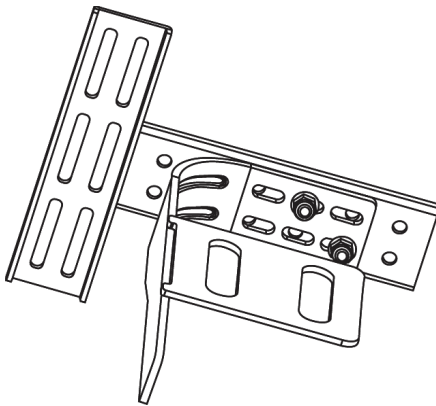
#### Right Bracket Assembly



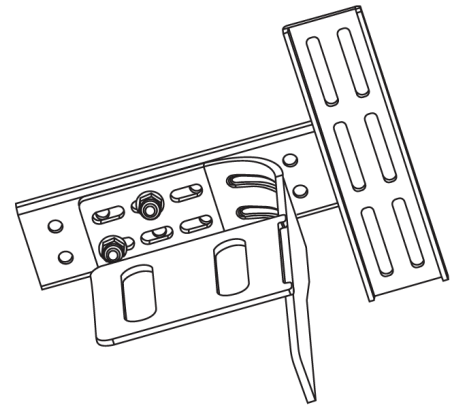
### Step C: Assemble both Left and Right Headboard Bracket Assemblies

Using the provided Tools, repeat the Bolt Assembly instructions twice per Headboard Bracket as shown below. Use the Completed Headboard Bracket Assembly Diagrams for reference.

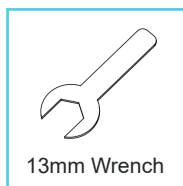
#### Completed Left Headboard Bracket Assembly



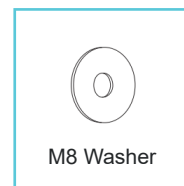
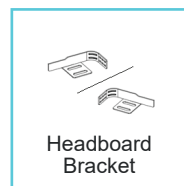
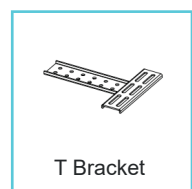
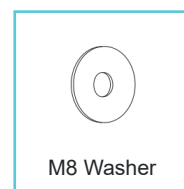
#### Completed Right Headboard Bracket Assembly



#### Tools



#### Repeat assembly twice per Headboard Bracket



### Step D: Install both Headboard Bracket Assemblies

Place the Headboard Bracket assemblies on the head-side of the bed, according to the diagram below. The head-side of the bed frame is on the opposite end where the Mattress Retainer Bar will be located.

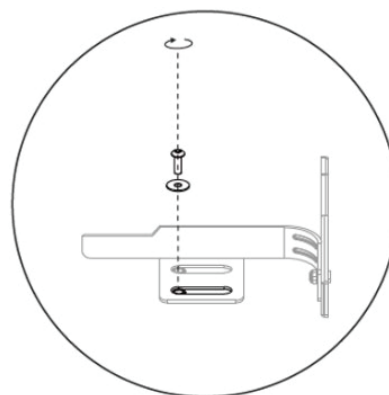
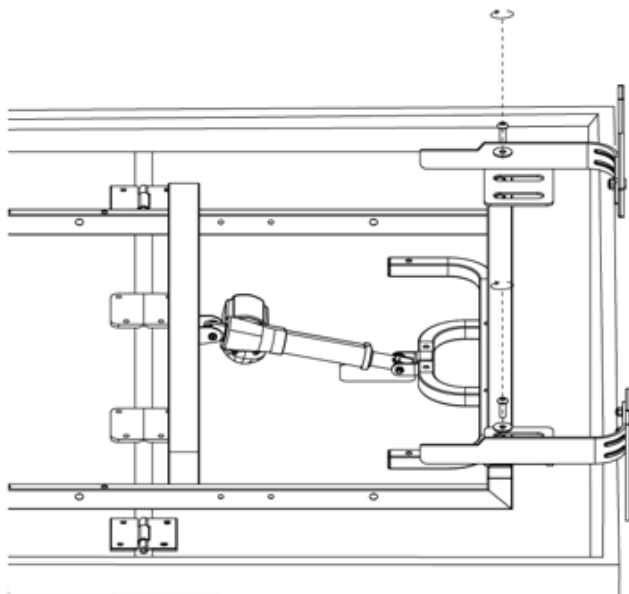
Align the two slots on each Headboard Bracket with the two holes on the corners of the bed frame. Use the holes towards the center of the bed to mount the Headboard Bracket assemblies. The other holes, towards the outside edge of the bed are for the Adjustable Legs. Attach each component based on the hardware shown below.

**Note:** Do not tighten. Adjustability is required for a later step.

**Tools**

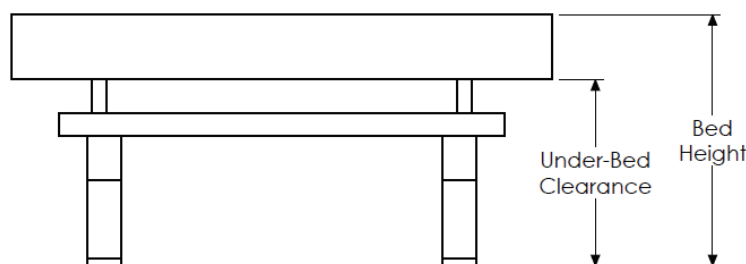


**Repeat assembly twice**



**STEP 4: BED HEIGHT CONFIGURATION**

Based on your surface, clearance, and bed height preference; identify the desired Bed Height Configuration.



Configuration	Surface	Under-Bed Clearance (inches)	Bed Height (inches)	Headboard Brackets Compatibility (Sold Separately)	Bed Slat Brackets Required Compatibility (Sold Separately)
No Adjustable Leg	Floor or Bed Slats	2.06	4.76	No	For Bed Slat installation
3" Adjustable Leg	Floor	5.06	7.76	No	No
6" Adjustable Leg	Floor	8.06	10.76	Yes	No
3" + 6" Adjustable Leg	Floor	11.06	13.76	Yes	No

## STEP 5: (OPTIONAL) INSTALL BED SLAT BRACKETS PART 1 OF 2 (SOLD SEPARATELY)

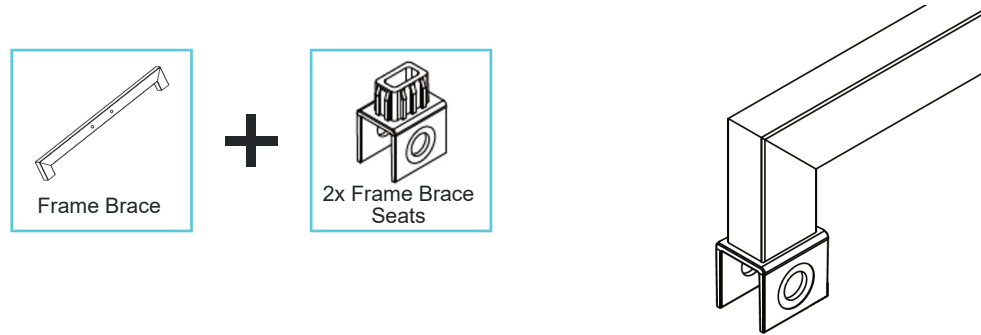
Before continuing, refer to 'Step 4: Bed Height Configuration' located on page 12 to confirm if Bed Slat Brackets are required.

### Step A: Inspect existing bed frame slats

Ensure there are no damaged, deformed, or missing slats as they may cause injury, damage, or excessive noise.

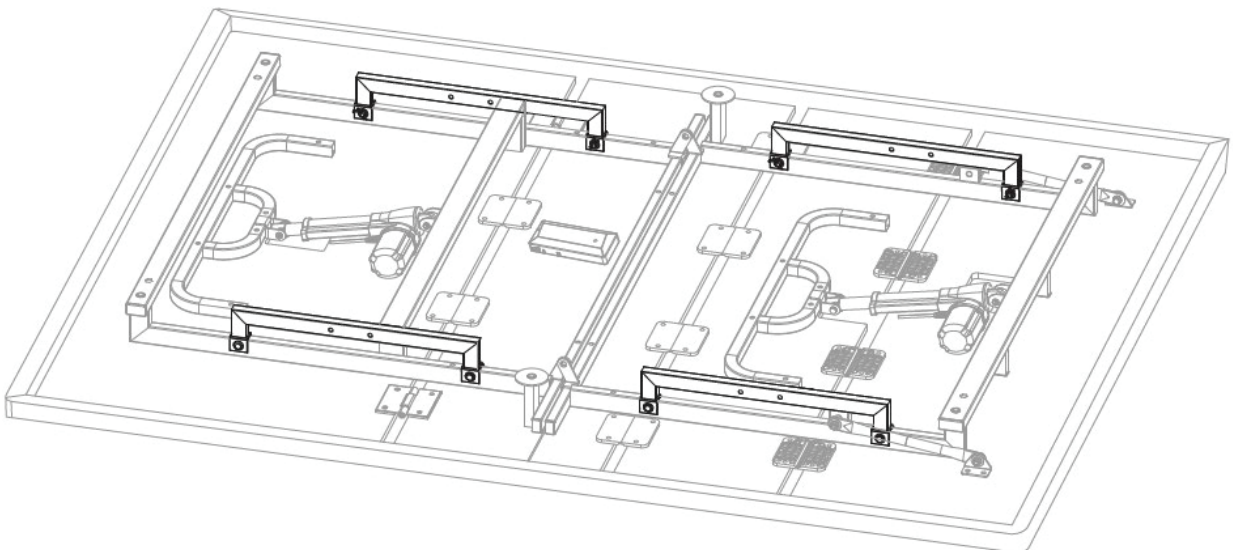
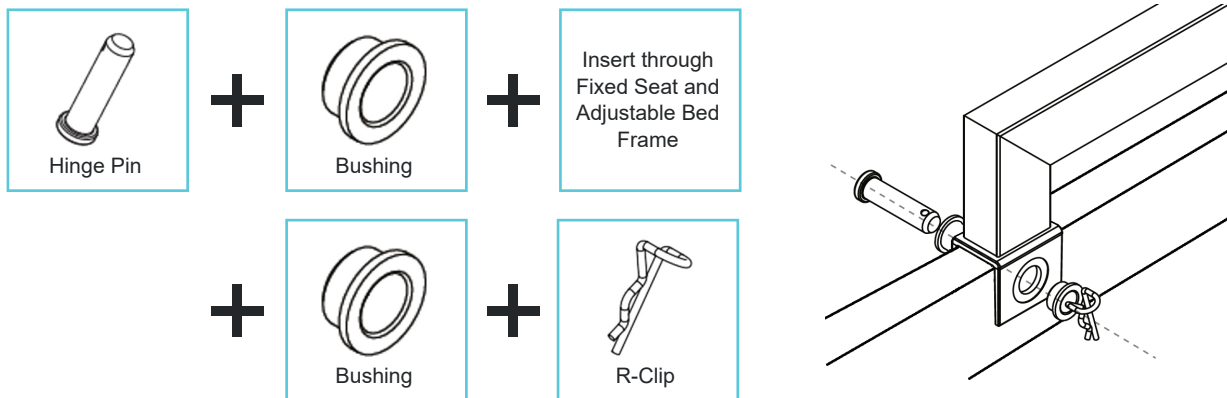
### Step B: Complete four Frame Brace Assemblies

Attach a Frame Brace Seat on each end of the four Frame Braces.



### Step C: Install Frame Brace Assemblies on bed frame

Install four Frame Brace Assemblies in the locations shown in the diagram below.



### Step D: Flip adjustable bed facing up

**Important:** To ensure safe handling, please lift the adjustable bed directly by the frame.

Please exercise all necessary caution to ensure your personal safety and to prevent damage to the adjustable bed.

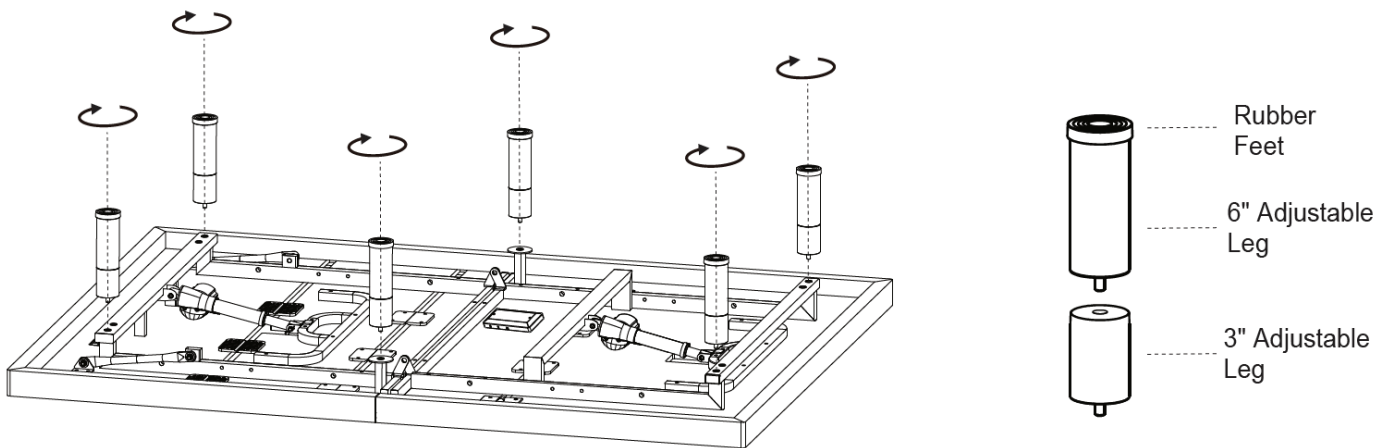
### Step E: Position the adjustable bed on the bed frame slats

Gently place the adjustable bed on top of your existing bed frame slats.

## STEP 6: (OPTIONAL) INSTALL ADJUSTABLE LEGS

Before continuing, refer to 'Step 4: Bed Height Configuration' located on page 12 to confirm if Adjustable Legs are required.

Install the six Adjustable Legs (3", 6", or 3" + 6") by hand onto the adjustable bed frame in the locations shown on the diagram below. Ensure the rubber feet are installed on the bottom of the completed Adjustable Leg assemblies.



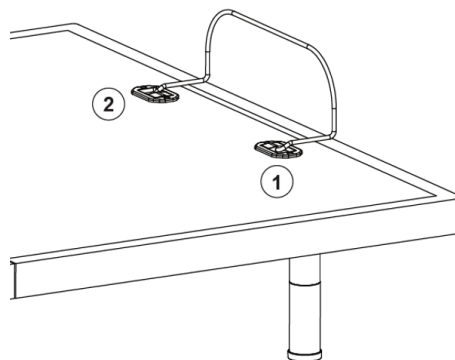
## STEP 7: FLIP ADJUSTABLE BED FACING UP

**Important:** To ensure safe handling, please lift the adjustable bed directly by the frame.

Please exercise all necessary caution to ensure your personal safety and to prevent damage to the adjustable bed.

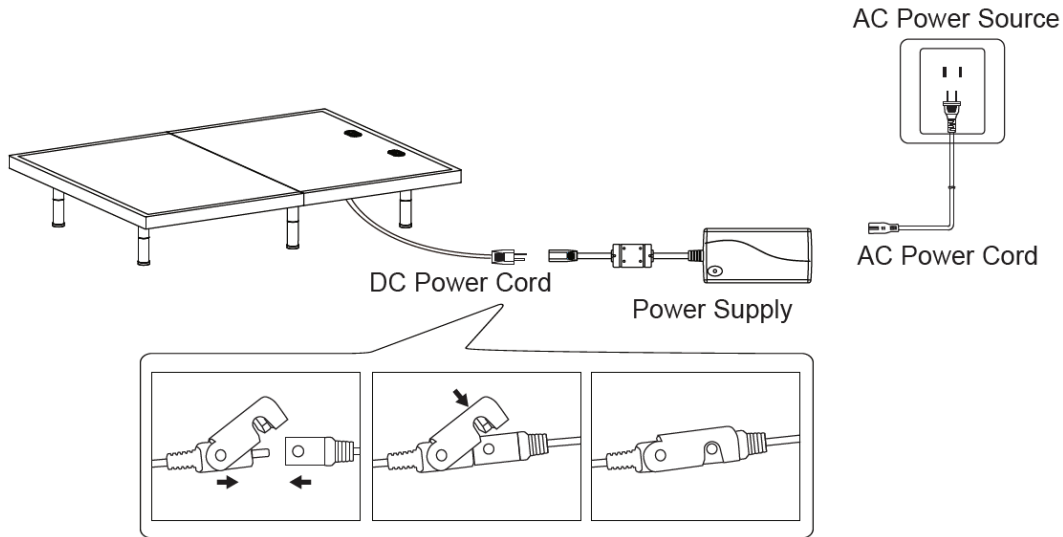
## STEP 8: INSTALL MATTRESS RETAINER BAR

Install the Mattress Retainer Bar in the foot area of the adjustable bed. Insert Side 1 as illustrated on the diagram, before inserting Side 2.



## STEP 9: SETUP CONTROL AND POWER SYSTEM

Connect the Control Box Power Cord, Power Supply, and AC Power Cord together before connecting to an appropriate AC Power Source.



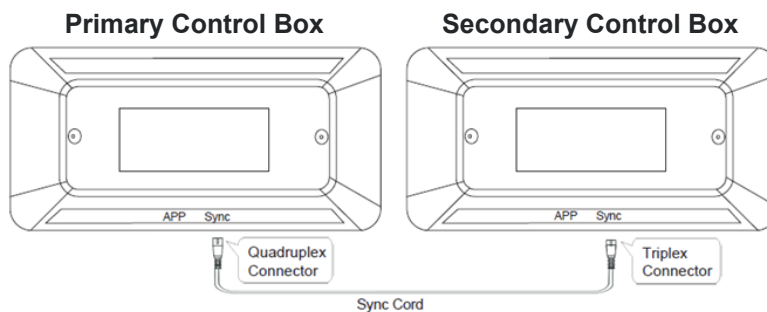
## STEP 10: KING AND SPLIT KING CONFIGURATION SETUP

Please refer to this table to determine your desired configuration and proceed with the appropriate instructions.

Configuration	Operation	Wireless Remote (Included)	Sync Cord Required (Included)	Bluetooth Adapter (Optional, Sold Separately)	Headboard Brackets (Optional, Sold Separately)	Recommended Mattress (Sold Separately)
<b>King</b>	Operate both sides of the bed <b>together</b> .	1x Remote (1x spare remote)	Yes	1x	1x	1x King
<b>Split King</b>	Operate both sides of the bed <b>separately</b> .	1x Remote (1x spare remote)	No	2x	1x	2x Twin XL

### Option A: King Configuration

The King configuration will allow the user to operate the two Twin XL adjustable beds together to form one King adjustable bed. This is the required configuration for using one king sized mattress. Only one Wireless Remote is needed. The other Wireless Remote is a spare.



1. Identify the Primary and Secondary Control Boxes.
  - a. Inspect both ends of the included Sync Cord to identify the Quadraplex and Triplex Connectors.
    - i. Quadraplex Connector: **four** wires are visible within the transparent connector at the end of the Sync Cord.

- ii. Triplex Connector: **three** wires are visible within the transparent connector at the end of the Sync Cord.
    - b. Between the two adjustable bed Control Boxes, identify the Control Box that would likely have better reception to the Wireless Remote and/or Bluetooth paired mobile device. This will be the Primary Control Box.
    - c. Connect the Quadruplex Connector of the Sync Cord, to the Sync port of the Primary Control Box.
    - d. Connect the Triplex Connector of the Sync Cord, to the Sync port of the Secondary Control Box.
2. Remove the Wireless Remote battery cover and ensure the toggle switch is set to the 'P' position (in the middle of 'A' and 'B').
3. Install the 3x AAA Batteries provided into the Wireless Remote. Reinstall the battery cover.
4. Complete the 'Wireless Remote Pairing' instruction located on page 20.
5. Complete the 'Soft Reset Procedure for King Configuration' instruction located on page 20.
6. Setup is complete.

### **Option B: Split King Configuration**

The Split King configuration will allow the user to operate the two Twin XL adjustable beds separately. This is the required configuration for using two twin XL mattresses. Two Wireless Remote are used, one for each side of the adjustable bed.

For Split King configuration, assemble and configure each Twin XL adjustable bed as if it is an independent Twin XL adjustable bed.

## **STEP 11: QUEEN AND TWIN XL CONFIGURATION SETUP**

---

1. Remove the Wireless Remote battery cover and ensure the toggle switch is set to the 'A' or 'B' position.
2. Install the 3x AAA Batteries provided into the Wireless Remote. Reinstall the battery cover.
3. Complete the 'Wireless Remote Pairing' instruction located on page 20.
4. Setup is complete.

## **STEP 12: (OPTIONAL) MOUNT HEADBOARD BRACKET ASSEMBLIES (SOLD SEPARATELY)**

---

**IMPORTANT:** Due to the wide variety of headboard thicknesses and materials, hardware for installing existing headboards is not included. Please select at least **four** screws or bolts that best suit your existing headboard.

**Note:** For King and Split King configurations, only one Headboard Bracket pair is needed. One for the left and right side of the headboard.

### **Step A: Install the Headboard Bracket Assemblies**

Ensure the 'Assemble Headboard Brackets Assemblies' instruction located on page 10 is fully complete.

### **Step B: Position adjustable bed**

Command the adjustable bed to its most upright position to allow for easier access.

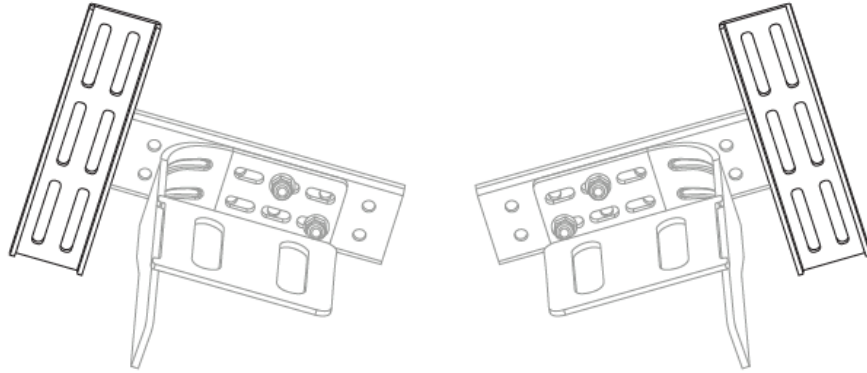
### **Step C: Loosening Bolt Assemblies for adjustment**

Ensure the three bolt assemblies on the Left and Right Headboard Bracket Assembly are loose, as adjustments will be required. This includes the two bolts on the T Bracket and the one bolt connecting the bracket to the bed frame.

### **Step D: Position the T Bracket**

Each T Bracket has six slotted holes that are used to attach to your existing headboard. Adjust the T Bracket position so that at least two screws or bolts can be installed through any of the six slotted holes to a secure part of your headboard.





### **Step E: Attach the T Bracket to the Headboard**

Use at least two screws to attach the T bracket to a secure part of your existing headboard. Do not tighten as a final adjustment will be required. Repeat for both Headboard Brackets.

### **Step F: Finalize adjustable bed position**

1. Position the adjustable bed and existing headboard to your desired final position.
2. Taking care to ensure there is no obstruction within and around the adjustable bed, command the bed to move its entire range of motion. A common obstruction would be the head of the adjustable bed rubbing on the headboard.
3. Adjust the position of the Headboard Bracket assemblies and adjustable bed as necessary to ensure smooth and unobstructed motion.
4. Once it is confirmed that there is no obstruction throughout the entire range of motion, and the desired adjustable bed and headboard position is achieved. Proceed with tightening the following hardware on the Head Bracket Assemblies:
  - a. Screws securing T Bracket to existing headboard.
  - b. Bolts securing T Bracket to Headboard Bracket
  - c. Bolt securing Headboard Bracket to bed frame
5. Finally, command the bed to move its entire range of motion while checking for obstructions.

## **STEP 13: (OPTIONAL) INSTALL BED SLAT BRACKETS PART 2 OF 2 (SOLD SEPARATELY)**

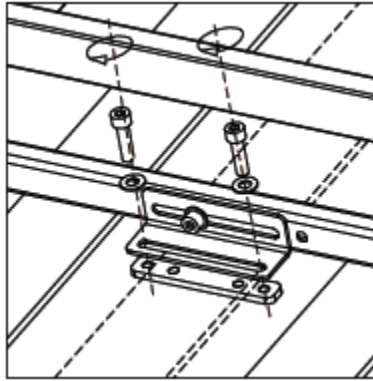
---

### **Step A: Finalize adjustable bed position**

1. Position the bed frame with bed slats and adjustable bed to your desired final position.
2. Taking care to ensure there is no obstruction within and around the adjustable bed, command the bed to move its entire range of motion. A common obstruction would be the head of the adjustable bed rubbing on the headboard.
3. Adjust the position of the Bed Slat Bracket assemblies and adjustable bed as necessary to ensure smooth and unobstructed motion.
4. Once it is confirmed that there is no obstruction throughout the entire range of motion, and desired bed frame and adjustable bed position is achieved, command the adjustable bed to the most upright position, to allow easier access to the Bed Slat Brackets for the following steps.

### **Step B: Select the Bed Slat Bracket mounting hole on the Frame Brace**

Each of the Frame Braces has two holes for mounting the Bed Slat Brackets. Select the hole which will allow the Bed Slat Brackets to be positioned in a way that it completely straddles the bed frame slat. This will allow for a later step of adding bolts to either side of the bed frame slat as shown in the diagram.



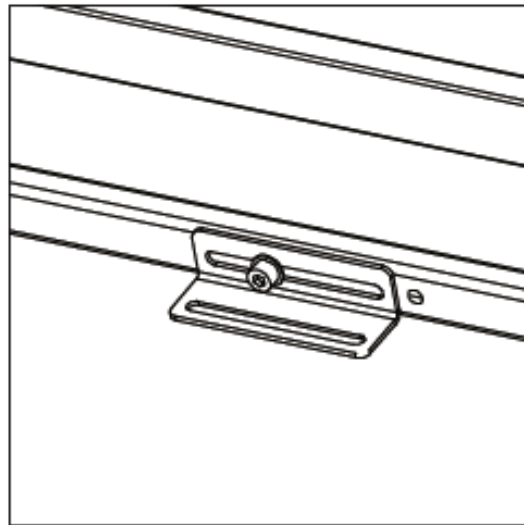
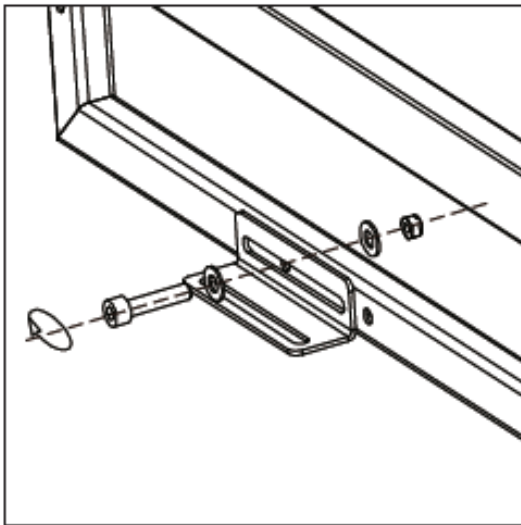
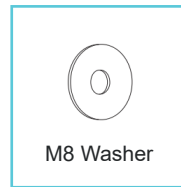
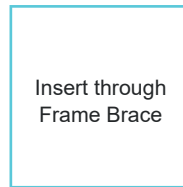
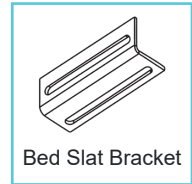
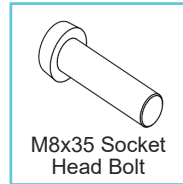
### Step C: Install Bed Slat Brackets

Install a Bed Slat Bracket on each of the four Frame Braces (using the hole selected in the previous step).

#### Tools



#### Repeat assembly four times



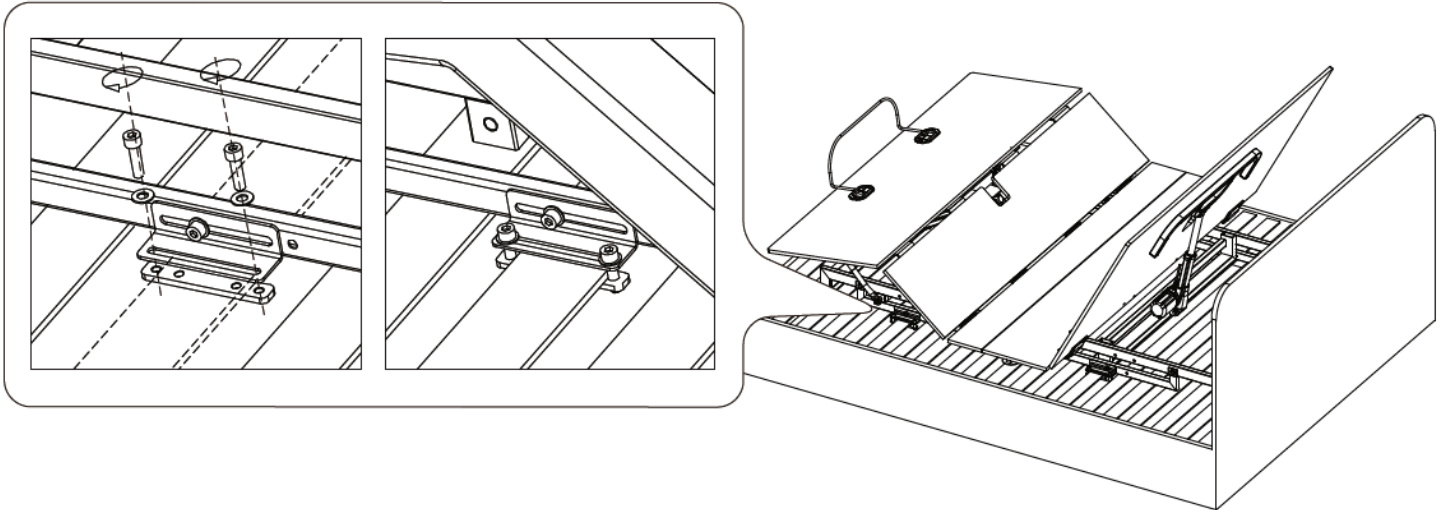
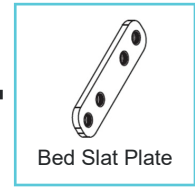
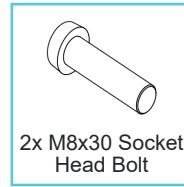
### Step D: Secure the Bed Slat Brackets to the bed frame slats

Use the Bed Slat Plates to secure each of the four Bed Slat Brackets onto your existing bed frame slats. Select the Bed Slat Plate mounting hole that will allow it to straddle the entire bed frame slat width.

## Tools



## Repeat assembly four times



## Step E: Finalize Slat Bracket installation

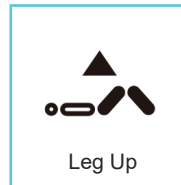
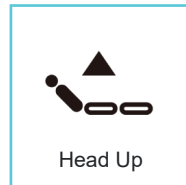
Finally, command the bed to move its entire range of motion while checking for obstructions.

# Controls Guide

## WIRELESS REMOTE PAIRING

---

1. Unplug the system from the AC power source.
2. Plug the system back into the AC power source.
3. Within 30 seconds of powering the system, press and hold the Head Up button and Leg Up button on the Wireless Remote until you hear a BEEP sound from the Control Box.



**Note:** Each adjustable bed can be paired with one Wireless Remote. Pairing new remotes will unpair the previous remotes.

**IMPORTANT:** To avoid signal interference, please do not send commands from two different Wireless Remotes simultaneously.

## HARD RESET PROCEDURE

---

For the Split King configuration, operate each adjustable bed as if it is an independent Twin XL adjustable bed.

1. Unplug the system from the AC power source.
2. Wait 60 seconds.
3. Plug the system back into the AC power source.
4. Reset Procedure is complete.

**Note:** If the adjustable bed is unresponsive to the Wireless Remote after a Reset Procedure, complete the 'Wireless Remote Pairing' instruction located on page 20.

## SOFT RESET PROCEDURE FOR KING CONFIGURATION

---

1. Ensure there are no obstructions beneath or around the adjustable bed.
2. Press and hold the 'FLAT' button on the Wireless Remote until:
  - a. Both adjustable beds are in a fully flat position.
  - b. Both adjustable beds individually produce a BEEP sound to confirm they are in a fully flat position.
    - i. If both adjustable beds reach the fully flat position at the same time, the combined BEEP may sound like one BEEP. In this case, simply continue to hold the 'FLAT' button for another 5 seconds to ensure both adjustable beds have reached the fully flat position.
3. Reset Procedure is complete.

## BATTERY LOCK WIRE (EMERGENCY OPERATION DURING POWER OUTAGE)

---

The adjustable bed may be operated for a brief period using two 9V batteries (not included) using the Battery Lock Wire.

1. Disconnect the Power Supply from the DC Power Cord.
2. Connect the Battery Lock Wire to the DC Power Cord.
3. Install 2x 9V batteries on the Battery Lock Wire.

# Drift Classic 9 Button Wireless Remote

## Adjustment Buttons

Hold the button to move the adjustable bed to the desired position.

- Head Up/Down: Raises and lowers the head section of the adjustable bed.
- Leg Up/Down: Raises and lowers the leg section of the adjustable bed.

## Remote Button Illumination

Any button press will turn on illumination for 10 seconds.

## Remote One-touch Positions

Press the following buttons once to initiate the command. To cancel, press any other button.

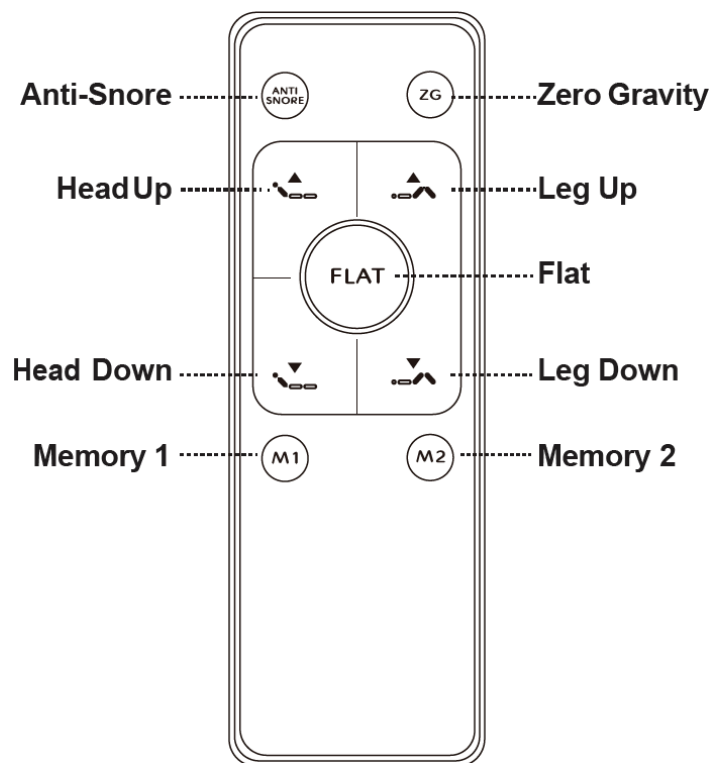
- ANTI-SNORE: Raises the head to promote easier breathing.
- ZG (Zero Gravity): Raises the head to promote easier breathing. Elevates legs to promote blood circulation which may help with stress and fatigue.
- FLAT: Flattens the adjustable bed.

## Storing a Memory Position

1. Use the Adjustment Buttons to achieve the desired position.
2. Press and hold the desired Memory button (M1 / M2) until you hear a BEEP sound from the Control Box.
3. Memory Position programming is complete.

## Recall a Memory Position

Press the desired Memory button (M1/M2) once to initiate the command. To cancel, press any other button.



# Drift Pro 13 Button Wireless Remote

## Adjustment Buttons

Hold the button to move the adjustable bed to the desired position.

- Neck Up/Down: Raises and lowers the neck section of the adjustable bed.
- Head Up/Down: Raises and lowers the head section of the adjustable bed.
- Leg Up/Down: Raises and lowers the leg section of the adjustable bed.

## Remote Button Illumination

Any button press will turn on illumination for 10 seconds.

## Remote One-touch Positions

Press the following buttons once to initiate the command. To cancel, press any other button.

- ANTI-SNORE: Raises the head to promote easier breathing.
- ZG (Zero Gravity): Raises the head to promote easier breathing. Elevates legs to promote blood circulation which may help with stress and fatigue.
- FLAT: Flattens the adjustable bed.

## Storing a Memory Position

1. Use the Adjustment Buttons to achieve the desired position.
2. Press and hold the desired Memory button (M1 / M2) until you hear a BEEP sound from the Control Box.
3. Memory Position programming is complete.

## Recall a Memory Position

Press the desired Memory button (M1/M2) once to initiate the command. To cancel, press any other button.

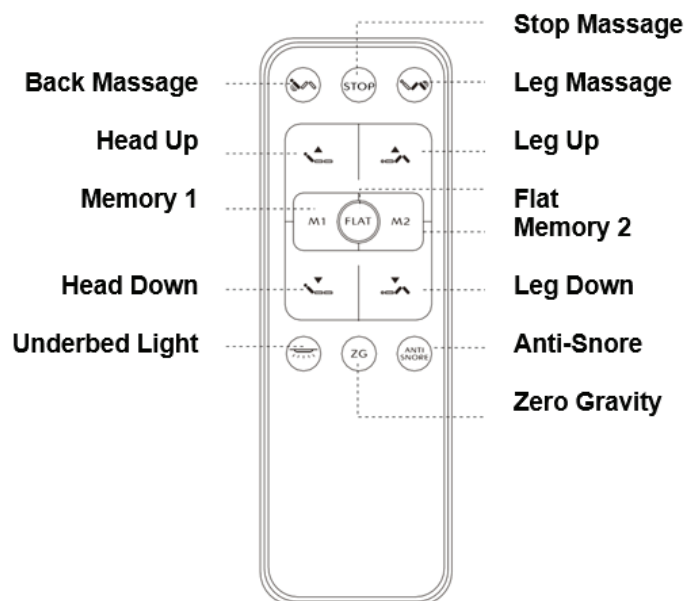
## Massage Buttons

Press the following buttons once to initiate the command. Automatic shut-off after 30 minutes.

- Back/Leg Massage:
  - Press once for low intensity.
  - Press again for medium intensity.
  - Press again for high intensity.
  - Press again to stop.
- STOP: Press to stop the massage.

## Underbed Light

Press the Underbed Light button once to activate. Press again to deactivate. Automatic shut-off after 10 minutes.



# Troubleshooting

Category	Problem	Solution
<b>King Configuration</b>	Unresponsive adjustable bed.	<ul style="list-style-type: none"> <li>• Complete the 'Soft Reset Procedure for King Configuration' located on page 20.</li> <li>• Complete the 'Hard Reset Procedure' located on page 20.</li> <li>• Complete the 'Wireless Remote Pairing' instruction located on page 20.</li> <li>• Ensure the Sync Cord is connected securely.</li> </ul>
<b>Twin XL, Queen, and Split King Configurations</b>	Unresponsive adjustable bed.	<ul style="list-style-type: none"> <li>• Complete the 'Hard Reset Procedure' located on page 20.</li> <li>• Complete the 'Wireless Remote Pairing' instruction located on page 20.</li> </ul>
<b>Wireless Remote</b>	Wireless Remote commands cause intermittent movement.	<ul style="list-style-type: none"> <li>• Aim the Wireless Remote underneath the adjustable bed. If this improves operation – it is likely that the batteries are drained.</li> <li>• Check if the Wireless Remote batteries are installed correctly.</li> <li>• Press buttons firmly – taking care not to damage buttons.</li> <li>• Wireless remote control may be experiencing common radio frequency interference from other radio transmitting devices. Wait ten seconds and then try again.</li> </ul>
<b>Noise</b>	Low intensity clicking or humming.	<ul style="list-style-type: none"> <li>• This is normal. No action is required.</li> </ul>
<b>Noise</b>	High-intensity noises.	<ul style="list-style-type: none"> <li>• Adjustable bed section may be obstructed by wall, headboard, or bed frame. Ensure there are no obstructions within the path of motion.</li> <li>• Ensure weight limits are not exceeded – refer to the 'Specifications' located on page 5.</li> </ul>
<b>Motion</b>	Obstruction is stuck.	<ul style="list-style-type: none"> <li>• Simply lift the section of the adjustable bed with the obstruction that is stuck.</li> </ul>
<b>Motion</b>	Adjustable bed sections will go up but not go down.	<ul style="list-style-type: none"> <li>• Adjustable bed sections may be obstructed by a wall, headboard, or bed frame. Ensure there are no obstructions within the path of motion.</li> </ul>
<b>Massage</b>	Excessive massage motor noise.	<ul style="list-style-type: none"> <li>• Check the adjustable bed is not in contact with objects that may cause noise due to the massage vibration.</li> <li>• Ensure the adjustable legs have their Rubber Feet installed or find alternative means of preventing direct contact between the adjustable bed and hard flooring.</li> <li>• Command the Head or Leg sections of the bed to go up slightly to realign bed sections with the frame.</li> <li>• If the adjustable bed is installed on a bed frame, ensure the bed frame is free of any loose parts that may cause noise due to the massage vibration.</li> </ul>



**Have any queries? Our expert engineers are here to help!**



[sales@progressivebed.com](mailto:sales@progressivebed.com)



1-800-828-9381



[progressivebed.com](http://progressivebed.com)