

**Product Name**

**Actuator Model**

**Mounting Options**

IP65 Mini Linear Actuator

PA-01



BRK-14

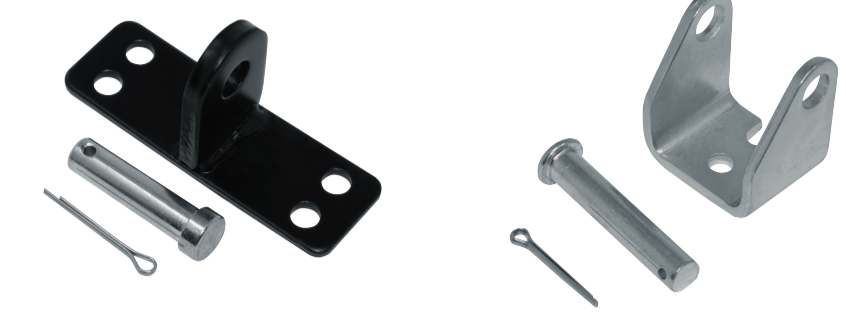


Linear Actuator

PA-03



BRK-01 or BRK-02  
motor end only, models up to 400 lbs

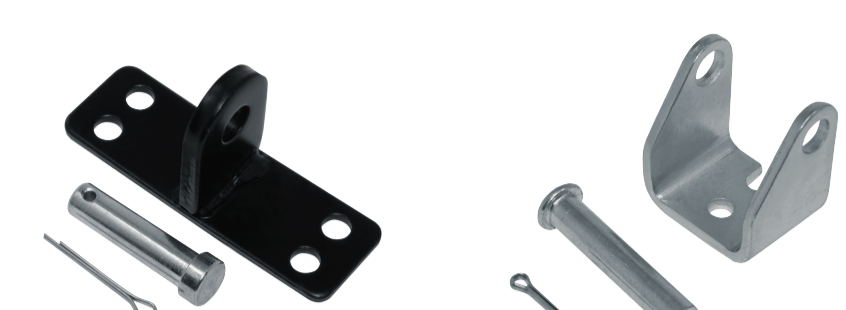


Linear Actuator IP66

PA-04



BRK-01 or BRK-02

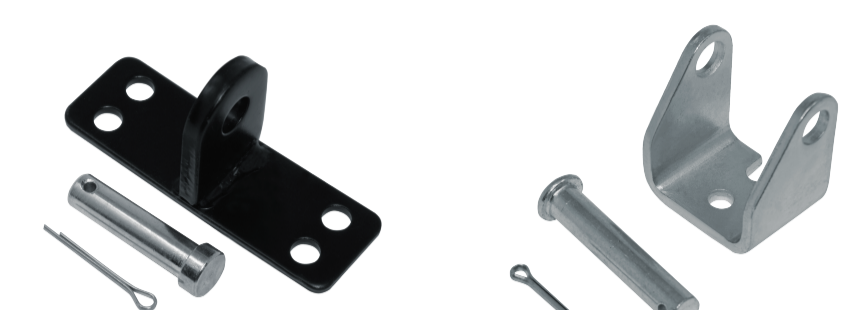


Hall Effect Sensor Actuator IP66

PA-04-HS



BRK-01 or BRK-02  
models up to 400 lbs



Waterproof IP67M Actuator

PA-06



BRK-06 or BRK-16

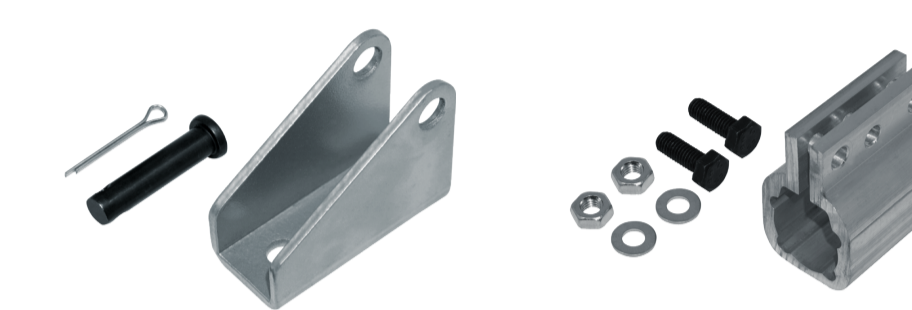


Mini Industrial Actuator

PA-09



BRK-09 or BRK-10



Waterproof IP68M/IP69K

PA-10



BRK-09

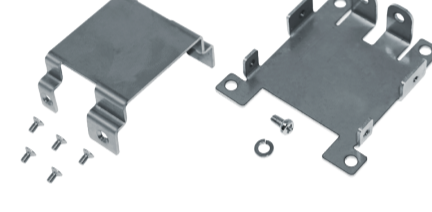


RS-485 Precision Actuator

PA-12-R



BRK-12  
1.06" stroke only

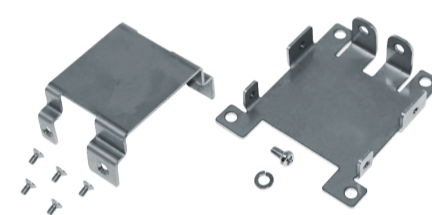


TTL Comm Precision Actuator

PA-12-T



BRK-12  
1.06" stroke only

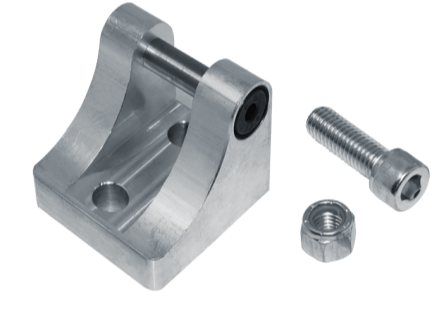


High Force Linear Actuator

PA-13



BRK-17

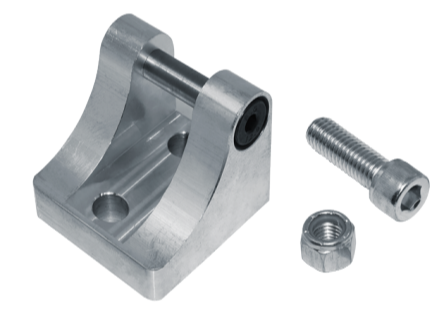


Heavy Duty Linear Actuator

PA-17



BRK-17



Heavy Duty Linear Actuator with Feedback

PA-17P



BRK-17

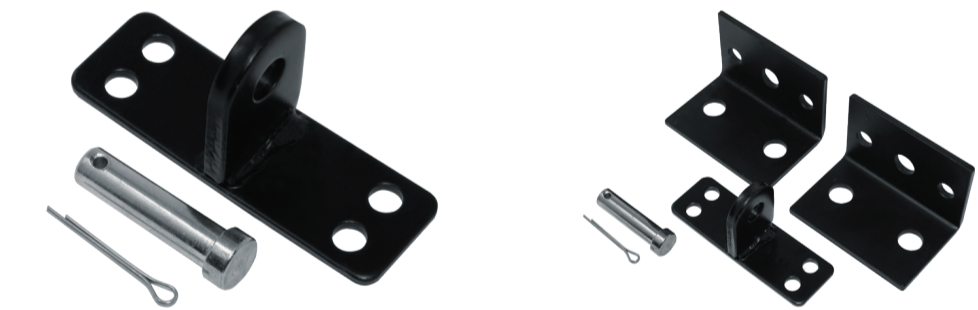


Track Linear Actuator

PA-18



BRK-01 or BRK-19  
motor end only, models up to 400 lbs



Quick Release Actuator

PA-QR1



BRK-02

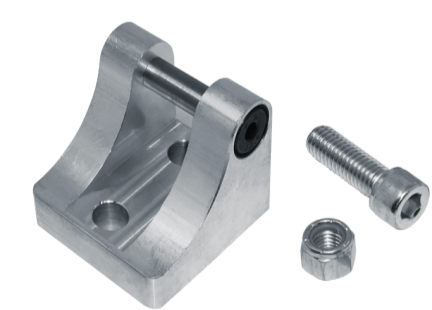


High Load Linear Actuator

PA-HD1



BRK-17

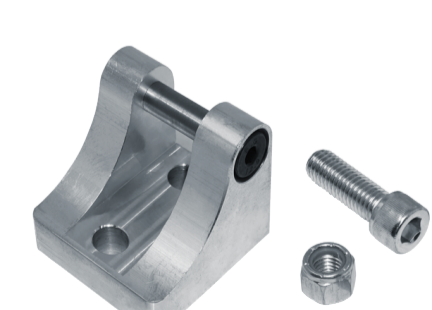


Feedback High Load Linear Actuator

PA-HD1-HALL



BRK-17



Hall Effect Waterproof Linear Actuator IP68M

PA-10-HALL



BRK-09

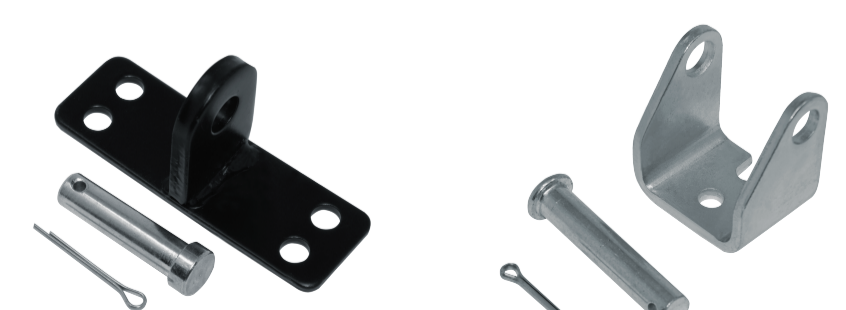


Telescopic Actuator

PA-TS1



BRK-01 or BRK-02



IP65 Micro Linear Actuator

PA-MC1



BRK-MC1



IP66 High Speed Linear Actuator

PA-ST1



BRK-09

