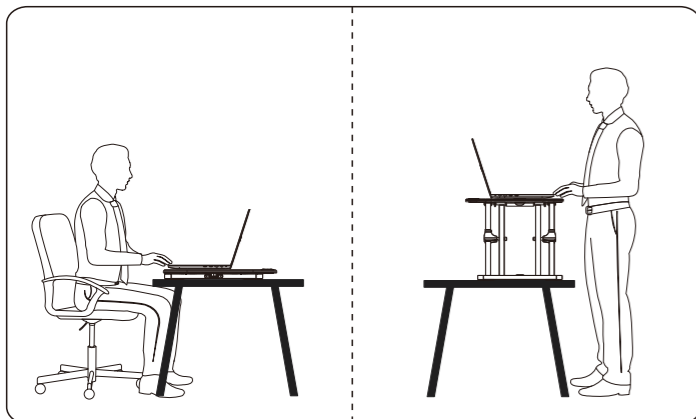
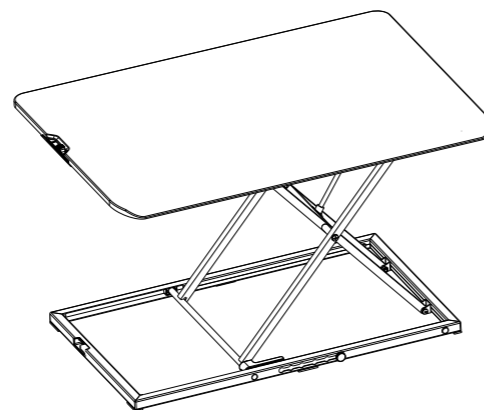


PA-TW-3-M

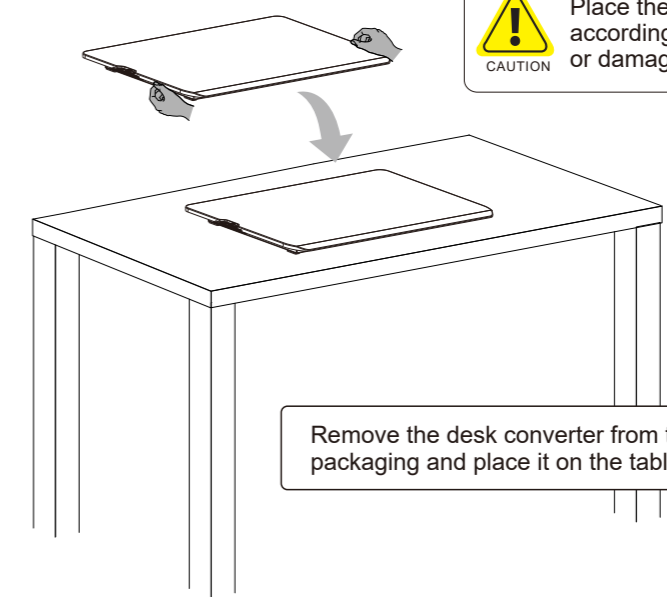


Have any queries?
Our expert engineers are here to help!

Progressivedesk.com
1-800-828-9414
sales@progressivedesk.com



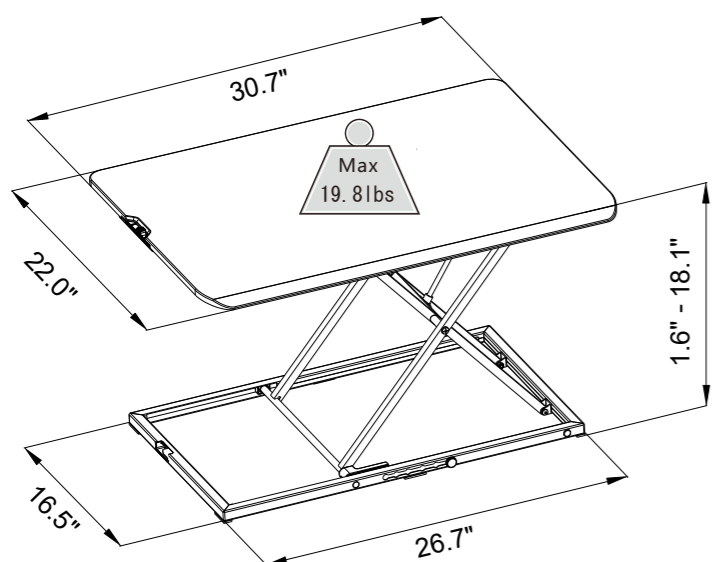
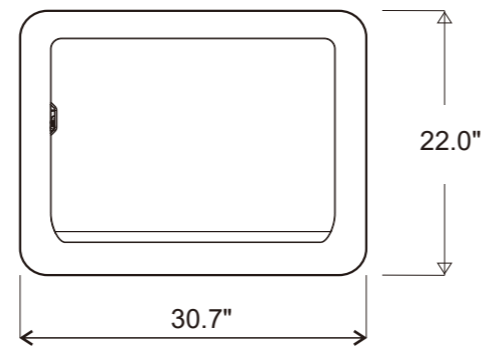
STEP 1



CAUTION Place the desk converter properly according to its size to prevent injury or damage.

Remove the desk converter from the packaging and place it on the table.

Table size:

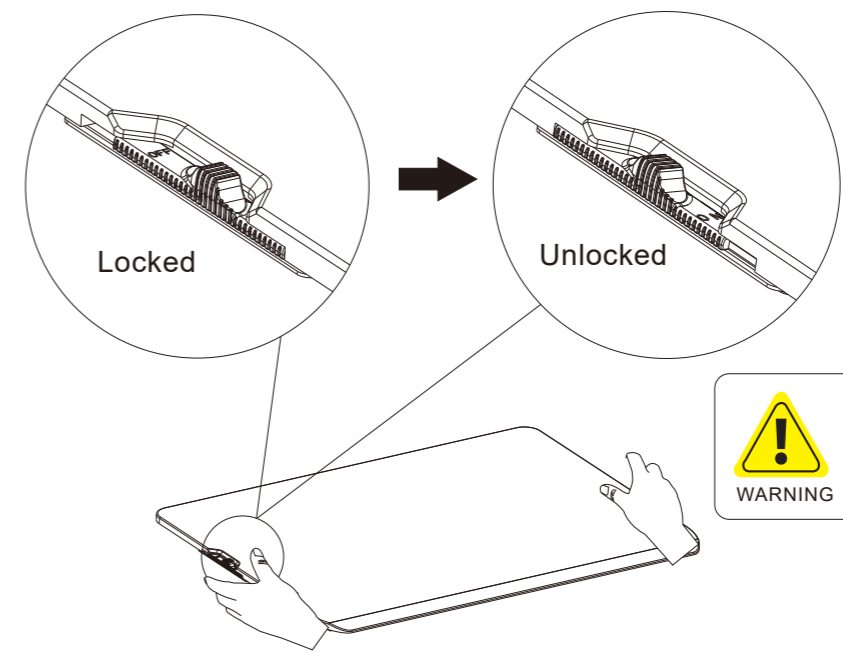


Max
19.8 lbs

! Please do not exceed the maximum load capacity.

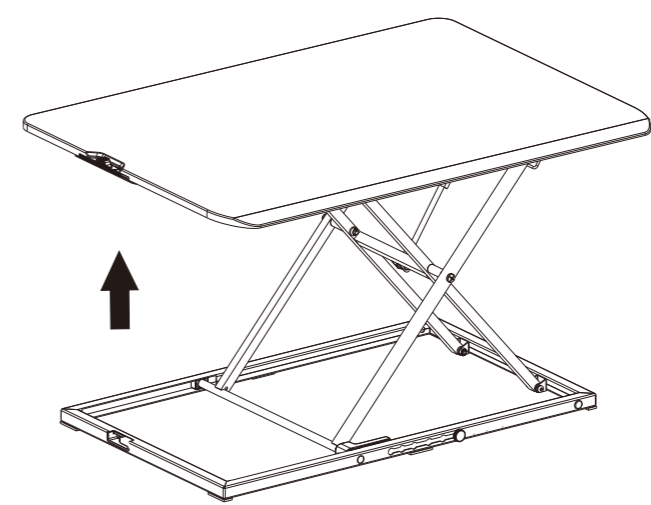
Maximum Load Capacity	19.8 lbs
Height Range	1.6" - 18.1"

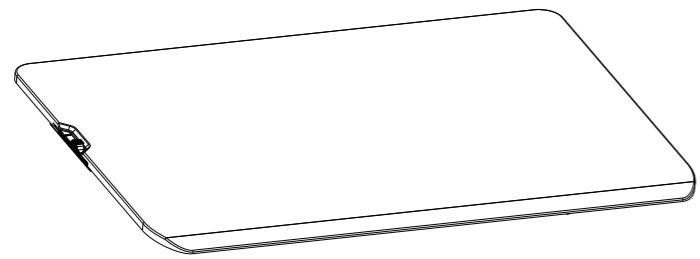
STEP 2



WARNING Please do not place hands near the supporting bars to avoid injury while raising or lowering the desk converter.

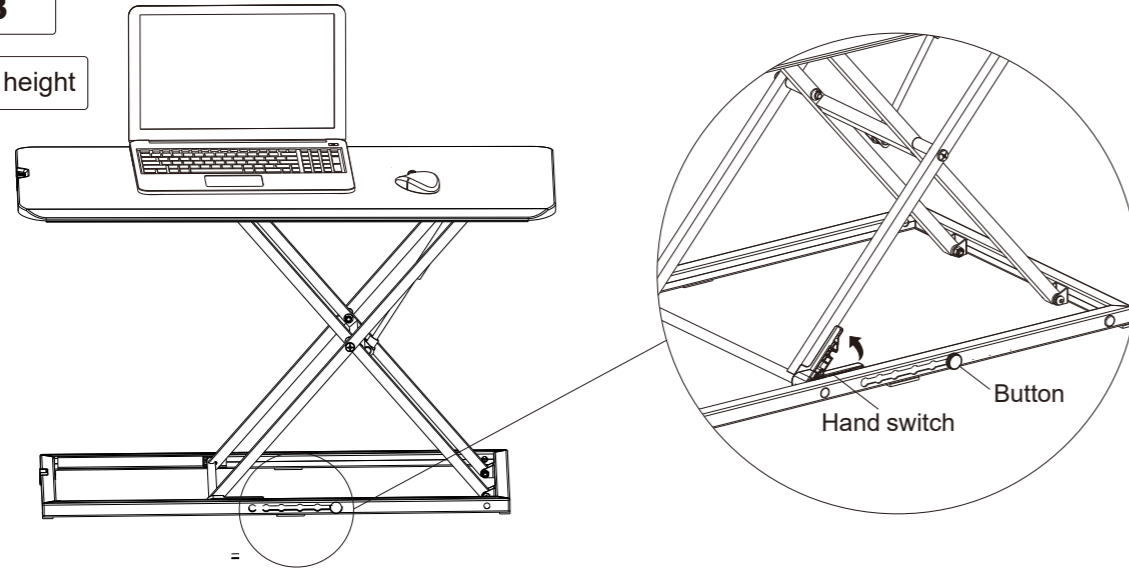
Place hands on either side of the desk converter and gently press the switch up with your left hand to the "unlocked" position. Slowly pull upwards to raise the desk converter into position.



NO.	Desk Converter
A	 x1

STEP 3

Adjusting the height



Raising the desk converter

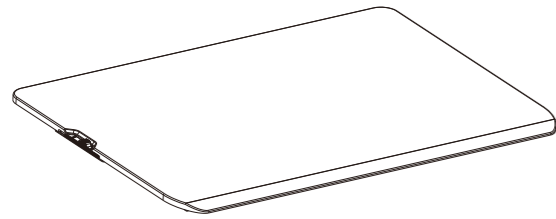
Press lightly on the desk converter on the left side, loosen the button and move it backwards and tighten it. The desk converter will rise as the button moves.

Lower the desk converter

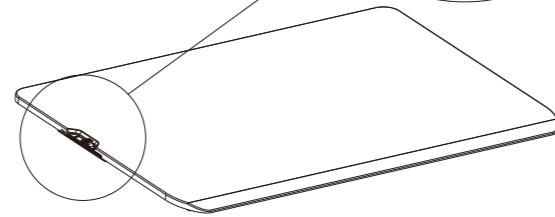
Press lightly on the left side and push the switch forward, while pressing the desk converter down to lower it. After loosening the button with your right hand, move it to the appropriate position to the left and tighten it. The button will snap into place, indicating that the hand switch is automatically locked in the position.

How to move the desk converter safely

1 Lower the desk sweater to the lowest position.



2 Lock the switch



The switch is locked safely