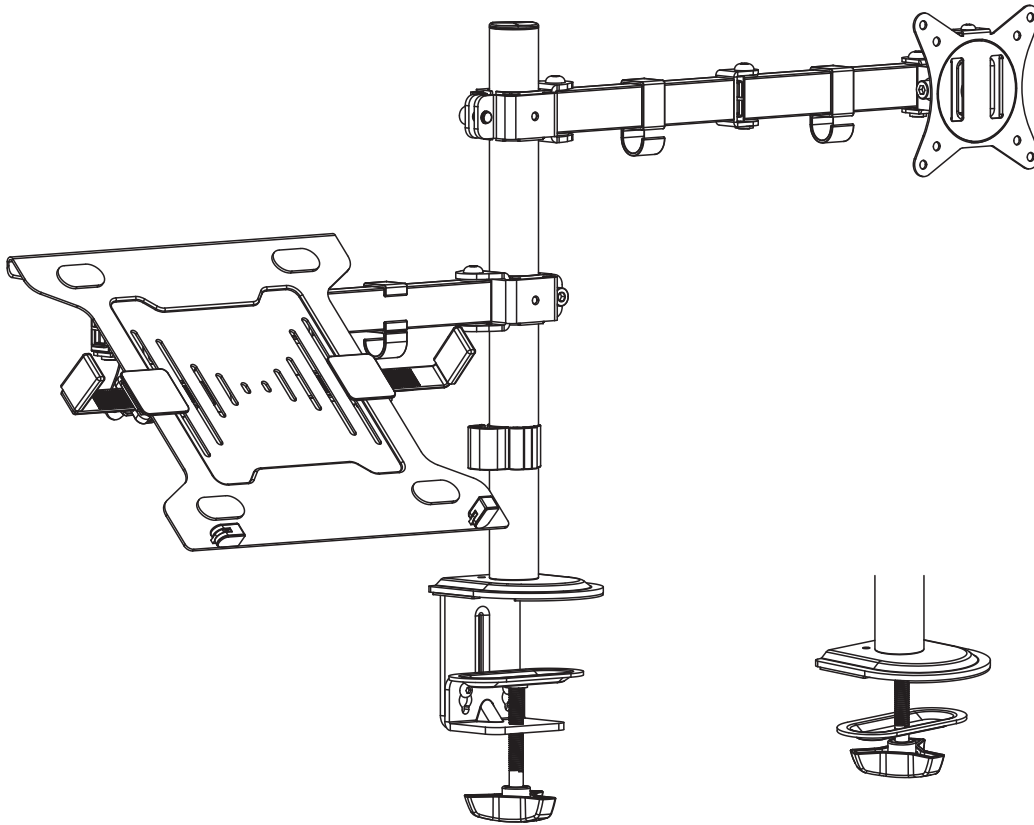


PROGRESSIVE DESK



17"-32"
Screen Size

10"-15.6"
Laptop

MONITOR
RATED
9kg/19.8lbs

LAPTOP
RATED
4kg/8.8lbs

VESA
75x75 100x100

+45°--45°

+90°--90°

360°

Cable
Management



Scan for more information

DM-04-2L

User Manual

V 1.1

Table of Contents

Specifications	3
Parts List	4
Assembly & Installation	5



Have any queries? Our expert engineers are here to help!



sales@progressivedesk.com



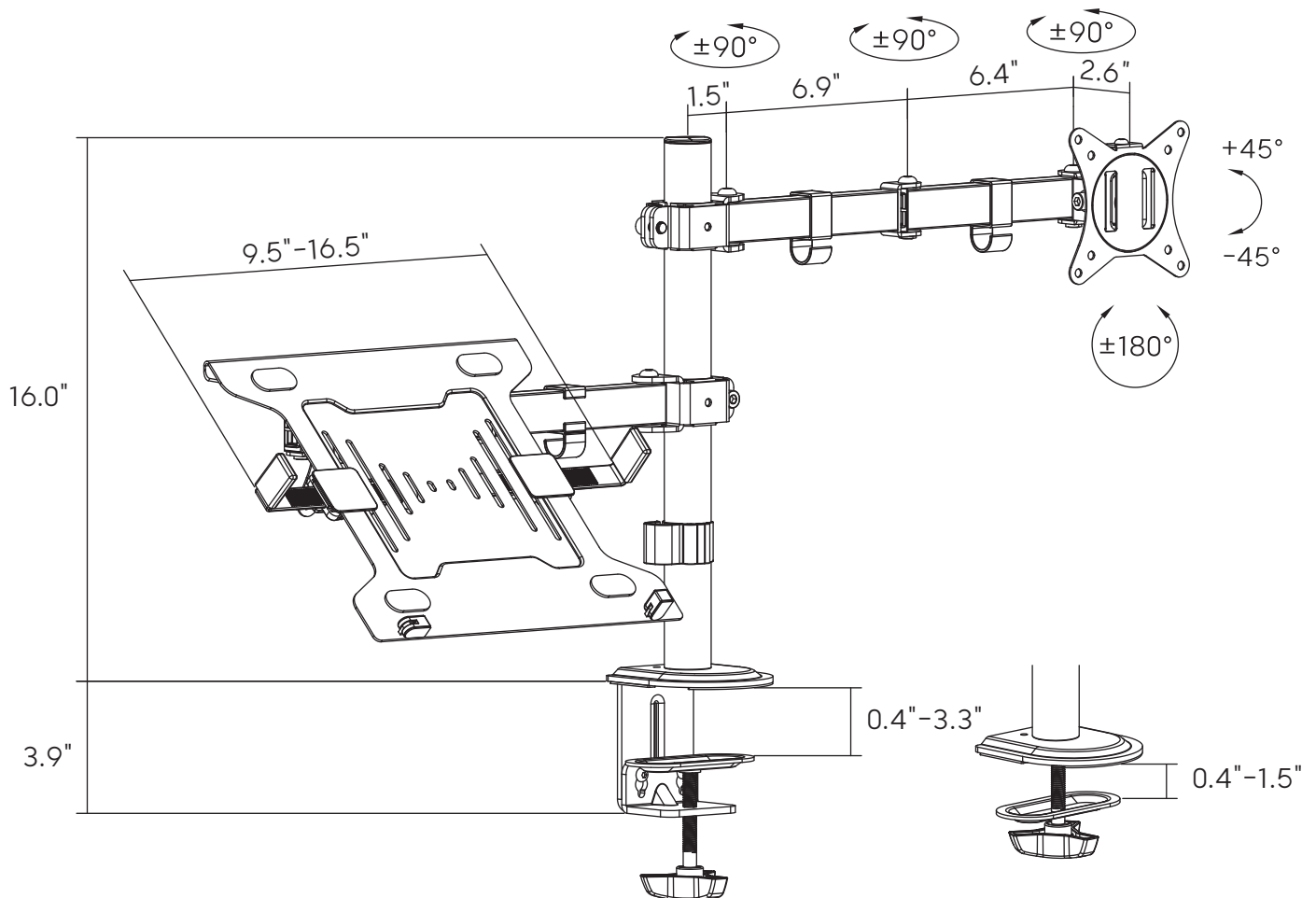
1-800-828-9414







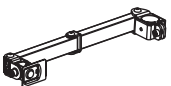






progressivedesk.com

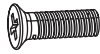

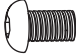




Specifications

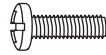
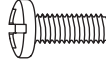

Monitor Compatibility	17" to 32"
Monitor Weight Capacity	19.8 lbs
Laptop Compatibility	10" to 15.6"
Laptop Weight Capacity	8.8 lbs.
Product Weight	10.5 lbs.
Desk Thickness - Clamp	0.4" to 3.3"
Desk Thickness - Grommet	0.4" to 1.5"
Grommet Hole Diameter	0.4" to 3.2"
Cable Management	Cable Cover, Cable Hooks
VESA Compatibility	100mm x 100mm and 75mm x 75mm
Base Joint Rotation	±90°
Elbow Joint Rotation	±90°
Neck Joint Rotation	±90°
VESA Mount Rotation	±180°
Tilt	±45°
Height Adjustment	Up to 15.25"
Clamp Mount	Included
Grommet Mount	Included
Detachable VESA	Included



Parts List

No.	Part	Qty.
A1	 Base Plate	1
A2	 Mounting Pole	1
A3	 Bracket	1
A4	 Clamp	1
A5	 Arms	2
A6	 Cable Hooks	4
A7	 Cable Cover	1
A8	 VESA Plate	2
A9	 Laptop Tray	1
A10	 Adjustable Clamp	2
A11	 Clip	2

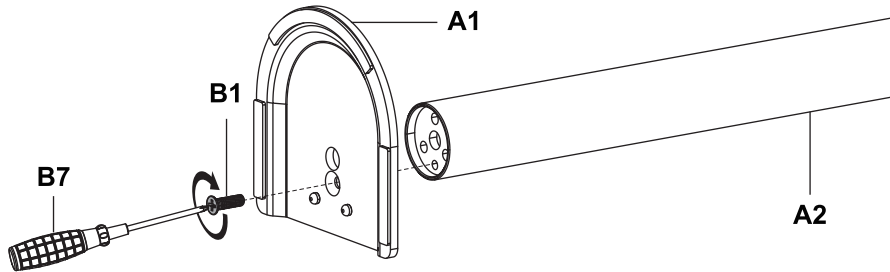
No.	Part	Qty.
B1	 M5x16 Screw	1
B2	 M10x20 Screw	1
B3	 M6x10 Screws	4
B4	 M4x8 Screws	4
B5	 4mm Hex Key	1
B6	 6mm Hex Key	1
B7	 Philips Head Screwdriver	1

No.	Part	Qty.
M-A	 M4x12 Screws	4
M-B	 M5x12 Screws	4
M-C	 Washers	4

Assembly & Installation

Step 1: Attach the Base Plate

Attach the Base Plate (A1) to the Mounting Pole (A2) using the M5x16 Screw (B1). Ensure the largest center holes on each part are aligned. Tighten with Philips Head Screwdriver (B7).



Step 2: Choose Installation Method (Clamp or Grommet)



Option 1: Clamp

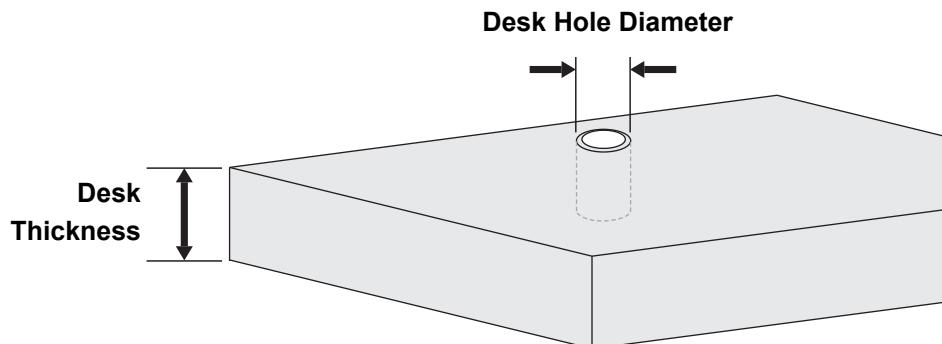
Option 2: Grommet

Option 1: Clamp – Mount to Side of Desk (Page 6)

Requirements: Desk Thickness 0.4" to 3.3"

Option 2: Grommet – Install into Grommet Hole or Drilled Hole (Page 8)

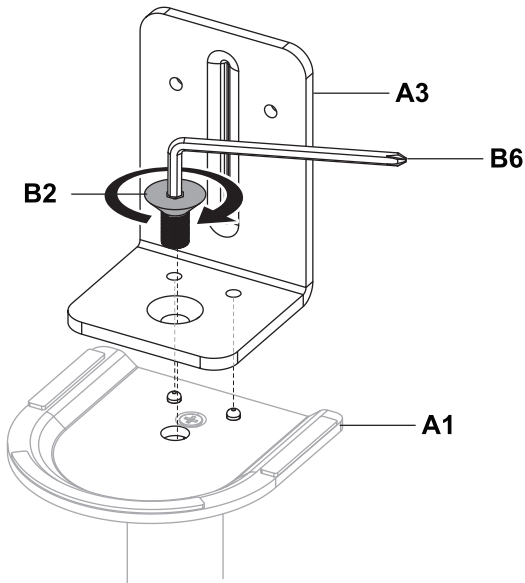
Requirements: Desk Thickness 0.4" to 1.5", Desk Hole Diameter 0.4" to 3.2"



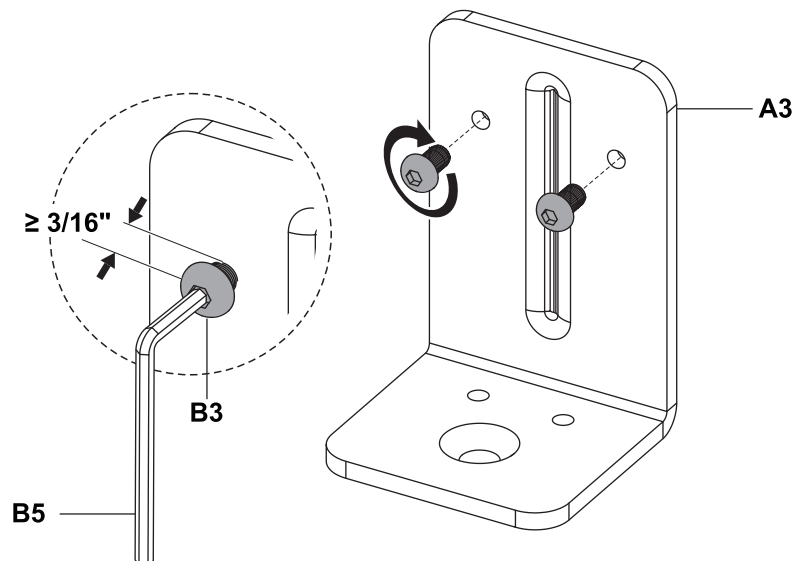
Assembly & Installation

Option 1: Clamp – Mount to Side of Desk

Step 2A: Align Bracket (A3) with the studs on the Base Plate (A1) and attach using the M10x20 Screw (B2). Tighten with 6mm Hex Key (B6).



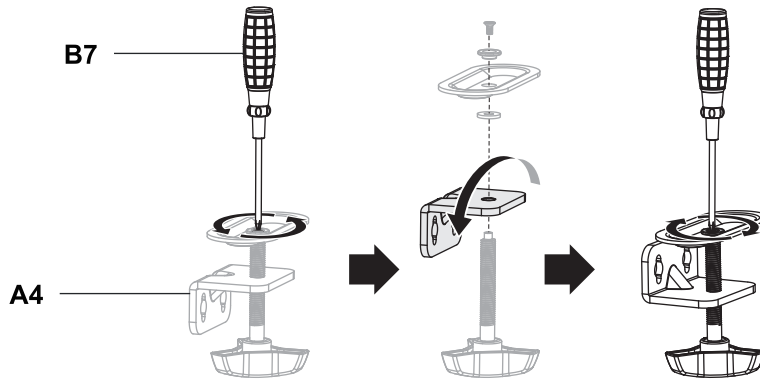
Step 2B: Insert 2x M6x10 Screws (B3) into the Bracket (A3) using the 4mm Hex Key (B5). **DO NOT TIGHTEN** the screws. Leave at least a 3/16" gap for Step 2D.



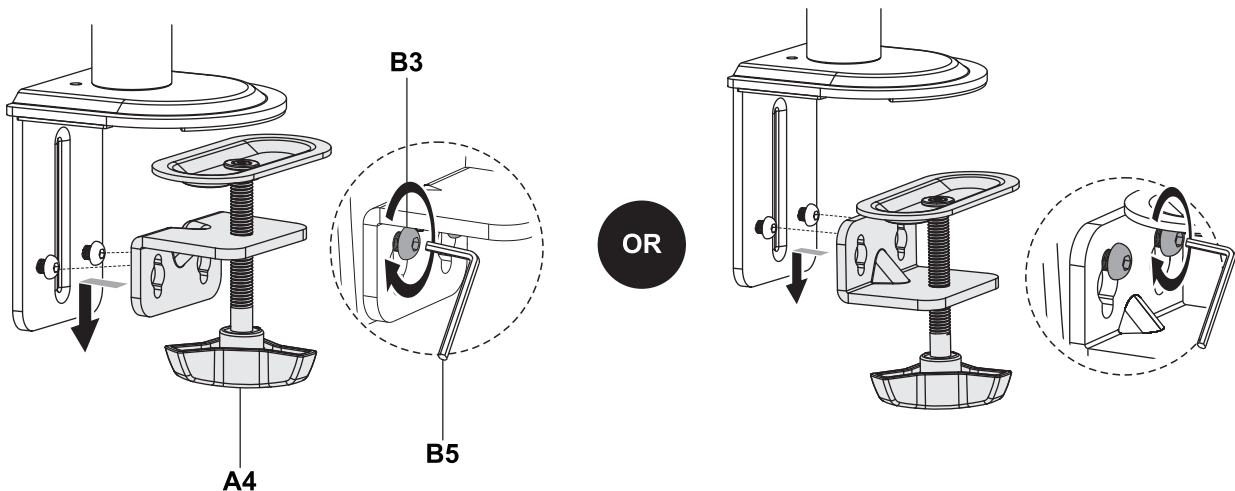
Assembly & Installation

Step 2C: For tabletop thickness 0.4" to 1.75" skip to Step 2D.

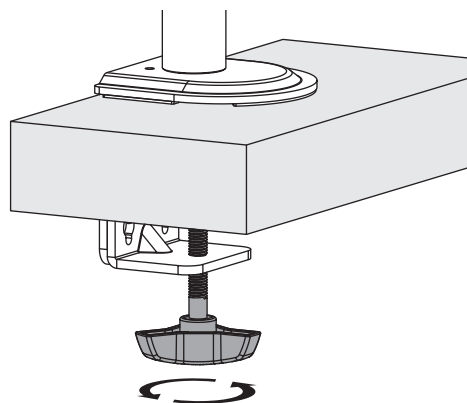
For tabletop thickness 1.75" to 3.3", unscrew the preinstalled screw on the Clamp (A4) using the Philips Head Screwdriver (B7). Separate the clamp components, flip the small bracket, and put the parts back together. Tighten the screw using the Philips Head Screwdriver (B7).



Step 2D: Hook on Clamp (A4) to the loose screws from Step 2B. Tighten the M6x10 Screws (B3) using the 4mm Hex Key (B5).



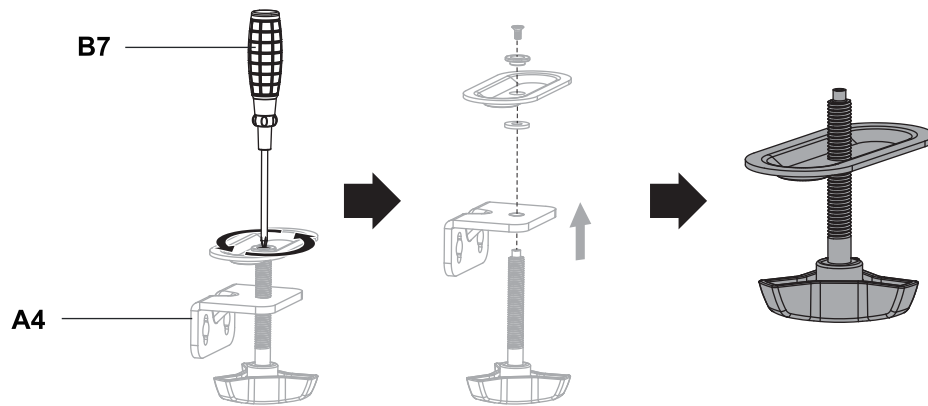
Step 2E: Place the assembly on your desired tabletop location and secure by tightening the clamp knob.



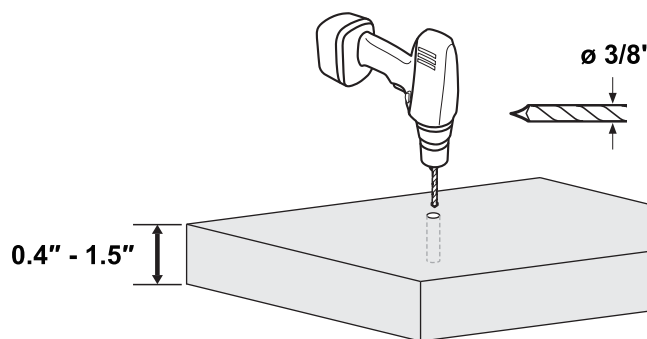
Assembly & Installation

Option 2: Grommet – Install into Grommet Hole or Drilled Hole

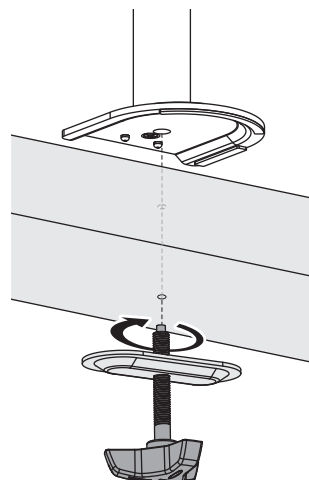
Step 2A: Separate the components from Clamp (A4) by using the Philips Head Screwdriver (B7). Put the mounting plate onto the threaded knob screw.



Step 2B (Optional): For installations on a tabletop WITHOUT a grommet hole or predrilled hole, use a drill with a 3/8" drill bit.



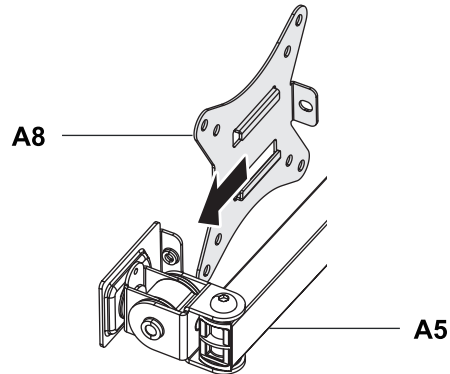
Step 2C: Insert the threaded knob screw and plate into the bottom side of the tabletop. Align with the hole on the base plate assembly. Tighten the knob to secure the monitor stand to the tabletop.



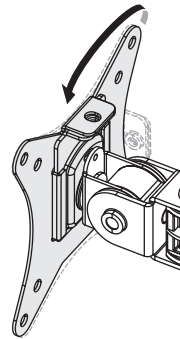
Assembly & Installation

Step 3: Position the VESA Mount

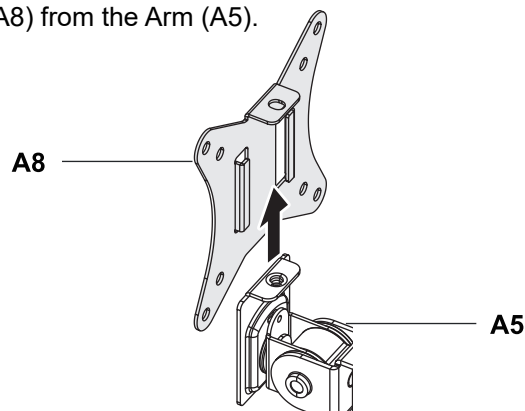
Step 3A: Slide the VESA Plate (A8) onto the VESA mount of the Arm (A5).



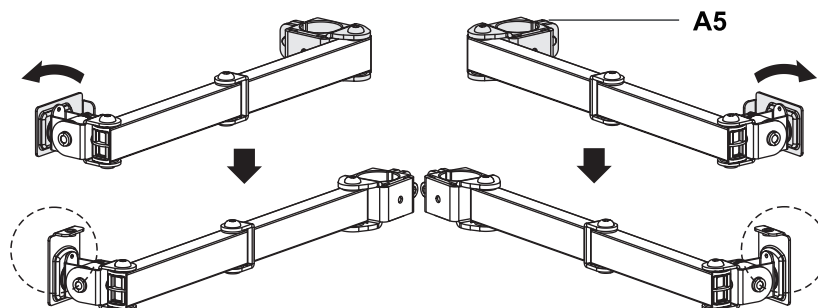
Step 3B: Rotate the VESA mount 90 degrees so that the connector is facing up as seen below.



Step 3C: Remove the VESA Plate (A8) from the Arm (A5).



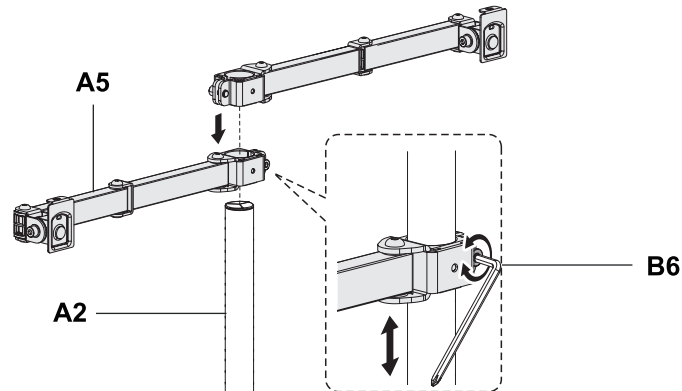
Step 3D: Repeat Steps 3A-3C for the other Arm (A5), this time turning the connector 90 degrees the other way so that they are both facing up.



Assembly & Installation

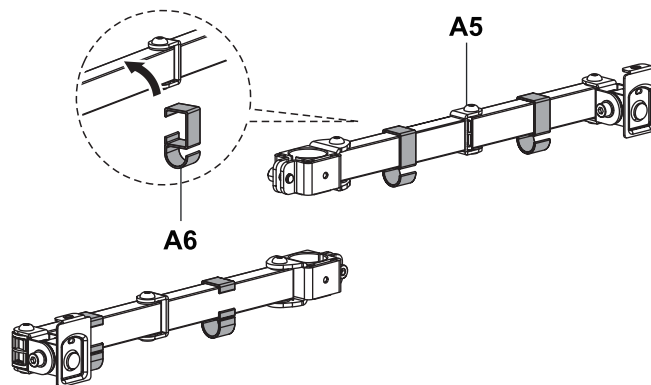
Step 4: Install the Arm

Install the Arms (A5) to the Mounting Pole (A2) at the desired heights. Tighten using the 6mm Hex Key (B6) to secure each arm. Recommended to first install the arm which will support the laptop as it's often lower down compared to monitors.

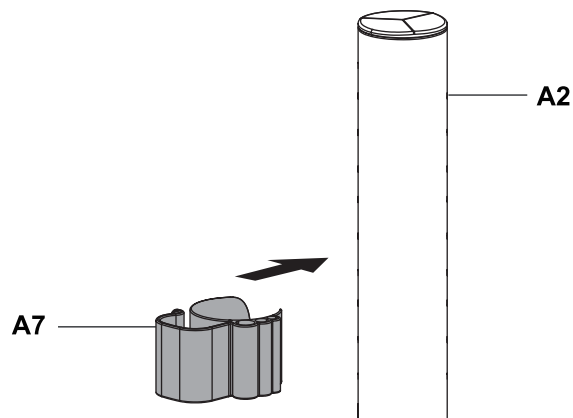


Step 5: Attach the Cable Management Hooks and Cover

Step 5A: Attach 2x Cable Hooks (A6) to each Arm (A5).



Step 5B: Attach the Cable Cover (A7) to the Mounting Pole (A2).

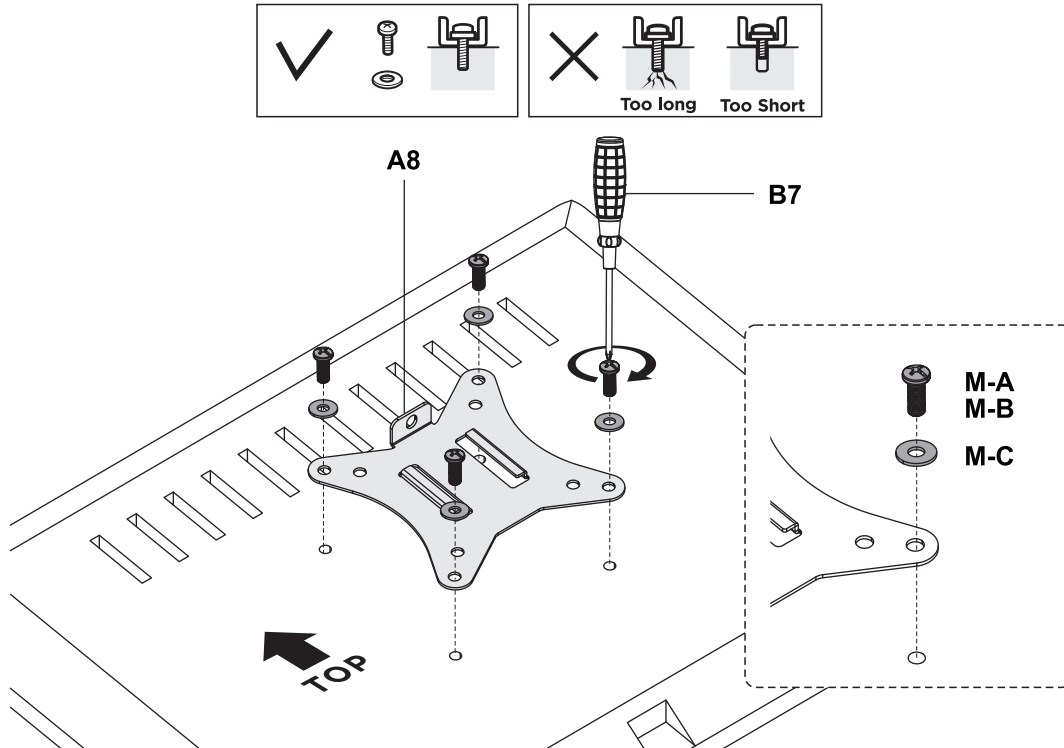


Assembly & Installation

Step 6: Install VESA Plate to the Monitor

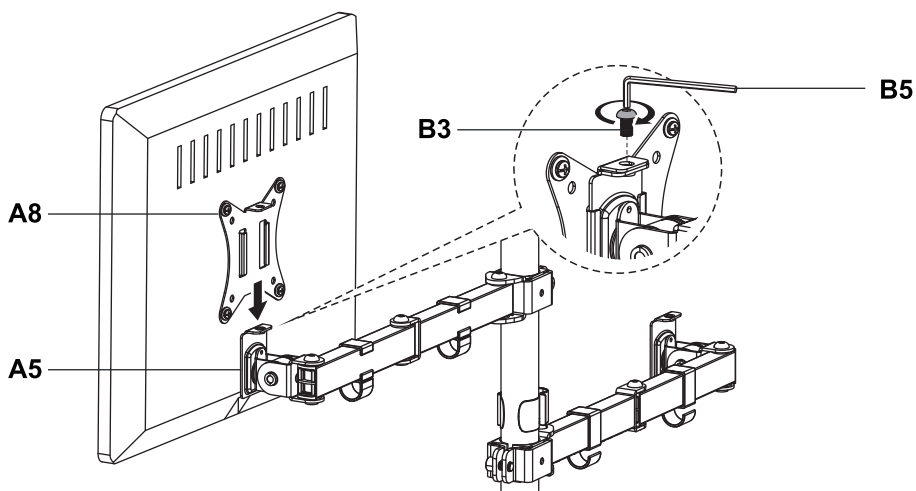
Install a VESA Plate (A8) to your desired VESA compatible monitor. Align the VESA Plate (A8) with the top of the monitor. Ensure the flange is facing out and towards the top of the monitor as seen below. Use Washers (M-C) and compatible screws (M-A or M-B) with the monitor.

DO NOT OVERTIGHTEN! Secure the parts using the Philips Head Screwdriver (B7).



Step 7: Slide the VESA Plate onto the Desired Arm

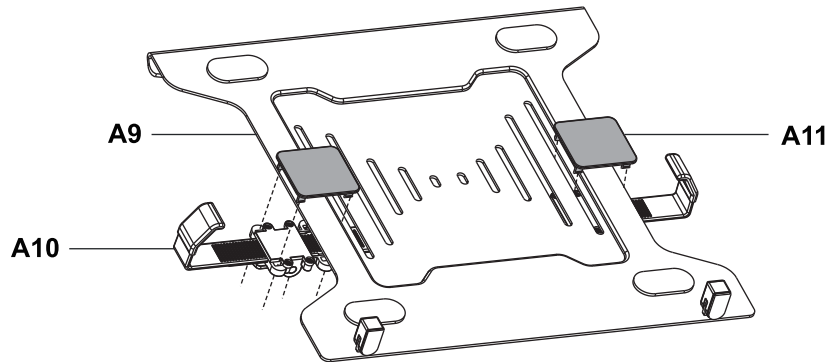
Slide the VESA Plate (A8) onto the desired Arm (A5) VESA mount. Secure the monitor using 1x M6x10 Screw (B3) and tighten with 4mm Hex Key (B5).



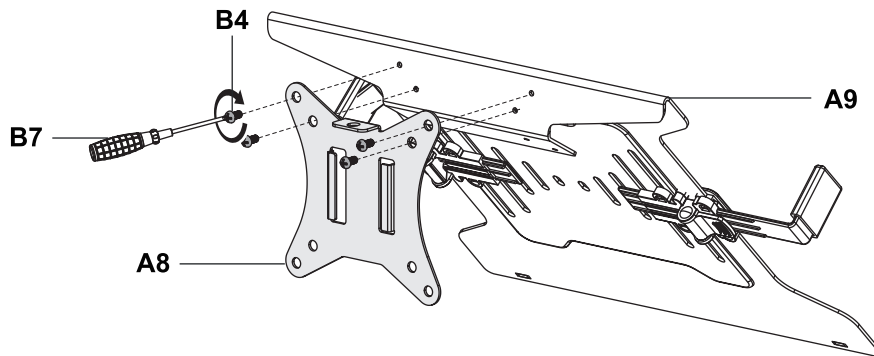
Assembly & Installation

Step 8: Assemble Laptop Tray

Step 8A: Align the Adjustable Clamps (A10) behind the Laptop Tray (A9), and secure using the Clips (A11) as seen below.

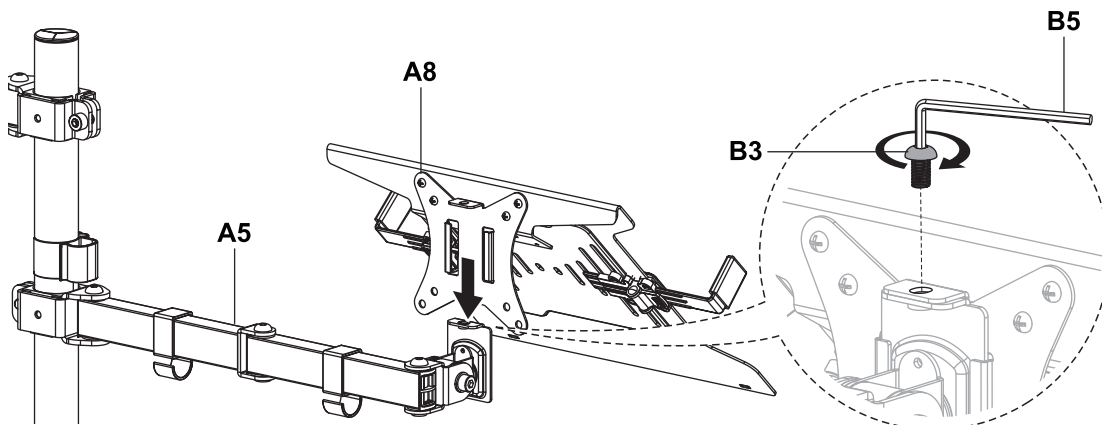


Step 8B: Secure the VESA Plate (A8) to the back of the Laptop Tray (A9) using 4x M4x8 Screws (B4) and tightening with the Philips Head Screwdriver (B7). Ensure the flange is facing out and towards the top of the laptop tray as seen below.



Step 9: Slide the Laptop Tray onto the Arm

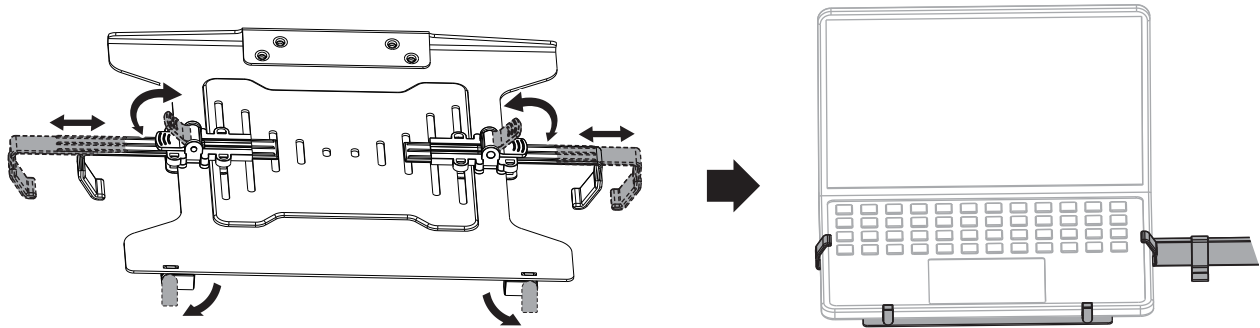
Slide the VESA Plate (A8) onto the Arm (A5) VESA mount. Secure the VESA Plate (A8) using 1x M6x10 Screw (B3) and tighten with 4mm Hex Key (B5).



Assembly & Installation

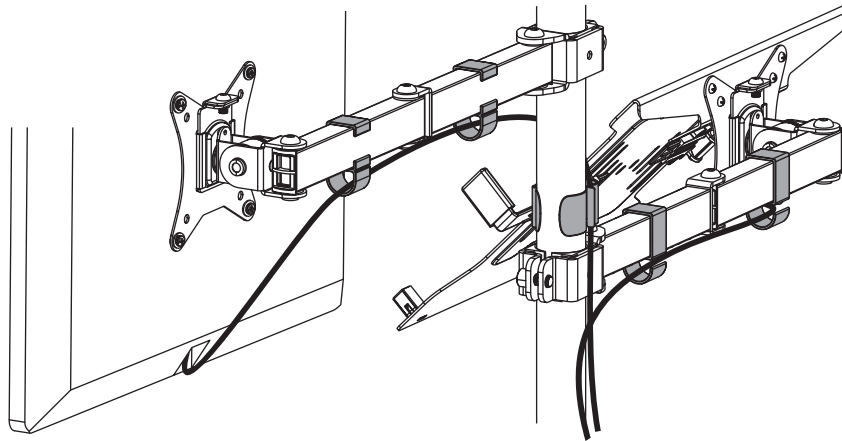
Step 10: Adjust the Laptop Tray to Fit Laptop

Move the Adjustable Clamps (A10) to fit your laptop. Lock the sliders in place by using the levers on the back of the Adjustable Clamps.



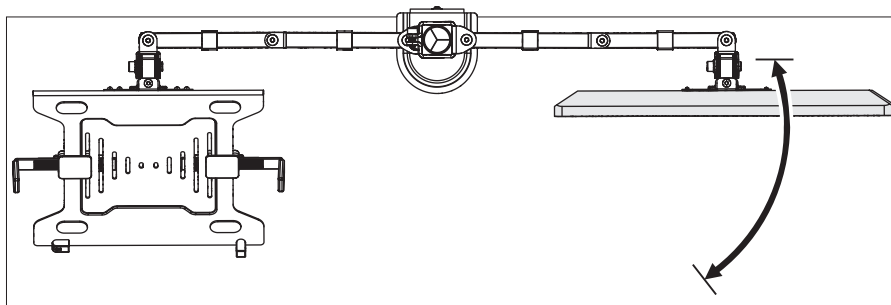
Step 11: Cable Management

Attach the monitor cables and route them through the installed cable management hooks and cover.



Step 12: Monitor Arm Range

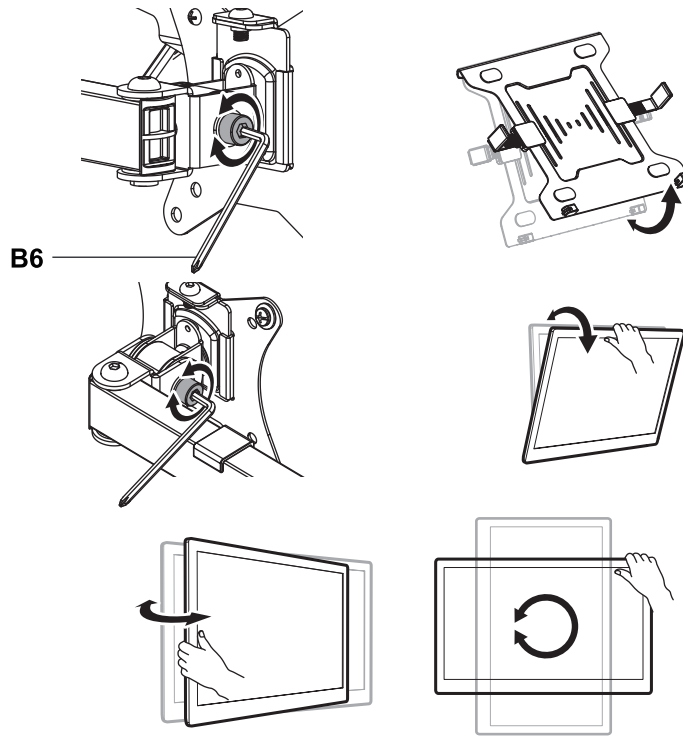
Caution: DO NOT use the display beyond the arrow range to avoid tipping.



Assembly & Installation

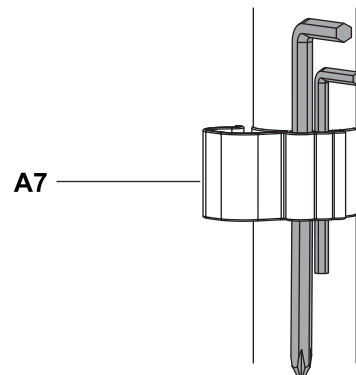
Step 13: Adjustability

Using the 6mm Hex Key (B6) to adjust the up and down tilt of the Laptop Tray and monitor. Note: If the display does not stop at your desired position, tighten the screws.



Step 14: Optional Hex Key Storage

Store the Hex Keys in the Cable Cover (A7) for future adjustments.



Have any queries? Our expert engineers are here to help!



sales@progressivedesk.com



1-800-828-9414



progressivedesk.com