

Scan for more information

DC-03

User Manual

Table of Contents

Specifications.....	3
Dimensional Drawing.....	3
Parts List.....	4
Assembly & Installation.....	5



Have any queries? Our expert engineers are here to help!



sales@progressivedesk.com



1-800-828-9414

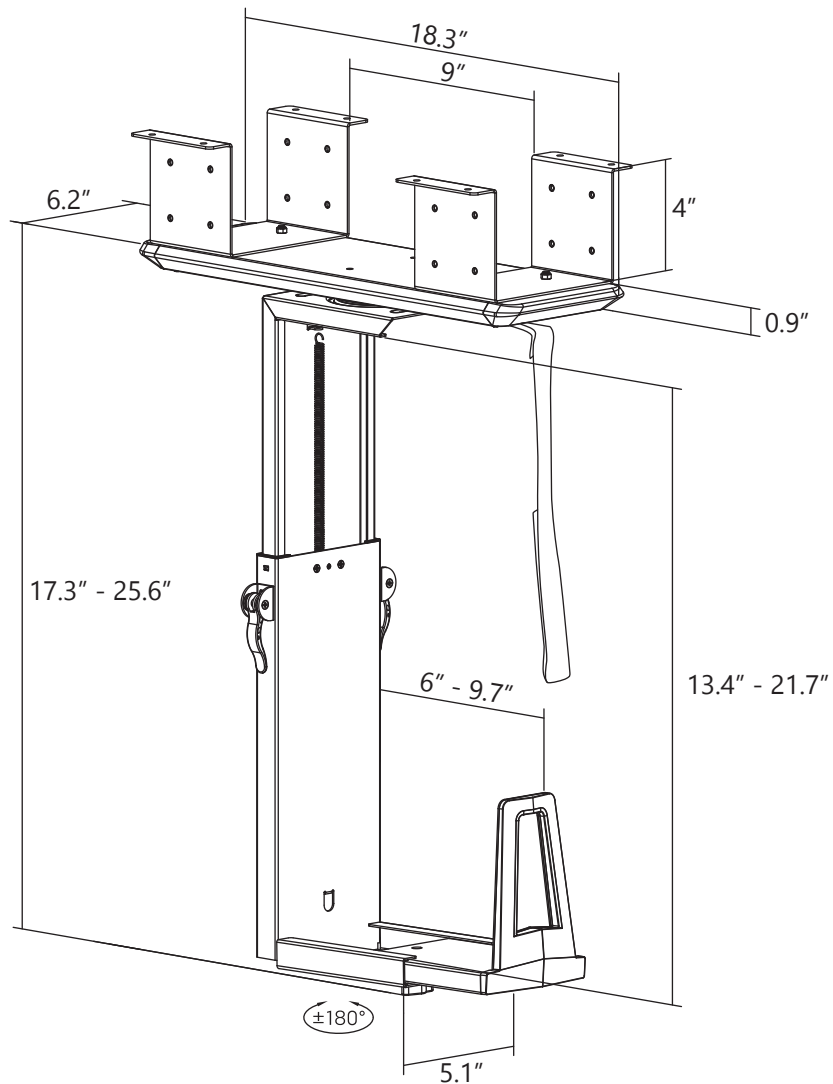


progressivedesk.com



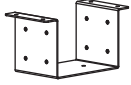


Specifications

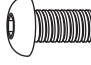




Specification	Description
Weight Capacity	33 lbs
Height Range	13.4" – 21.7"
Width Range	6" – 9.7"
Swivel Range	360°
Track Travel	9.7"
Product Height	22.2" – 30.5"
Slider Dimensions	18.3" × 6.2" × 0.9"
Material	Steel and Plastic
Product Weight	13.89 lbs

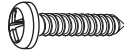


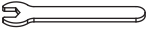
Dimensional Drawing



Parts List

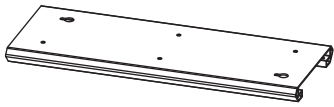
No.	Part	Qty.
A1	 Swivel CPU Mount	1
A2	 Slider	1
A3	 Mounting Bracket	2
A4	 Slider Adaptor	2
A5	 Slider End Cap	2

No.	Part	Qty.
B1	 M5x10 Screw	4
B2	 M5-0.80 Lock Nut	4
B3	 D5 Washer	8
B4	 ST4.2x19 Screw	8
B5	 Foam Pads	9

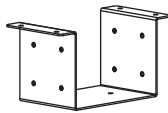
No.	Part	Qty.
B6	 ST3.5x20 Screw	4
B7	 Hex Key	1
B8	 Phillips Head Screwdriver	1
B9	 Wrench	1

Assembly & Installation

STEP 1: Install the Brackets



A2 (x1)
Slider



A3 (x2)
Mounting Bracket



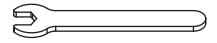
B1 (x4)
M5x10 Screw



B2 (x4)
M5-0.80 Lock Nut

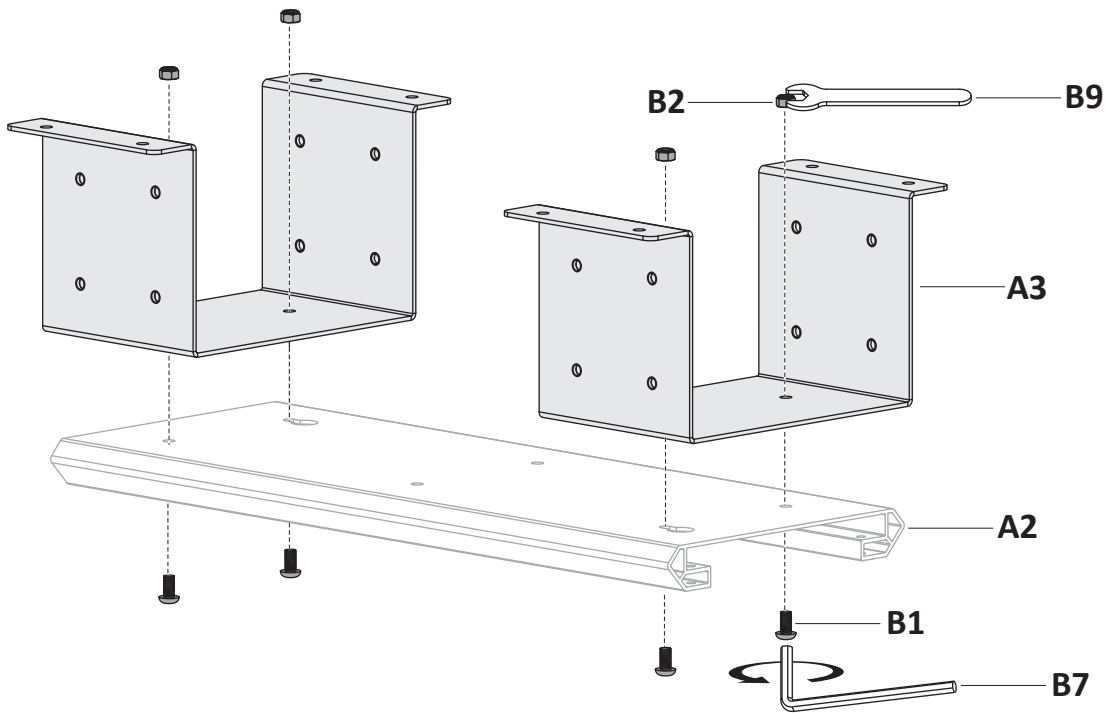


B7 (x1)
Hex Key



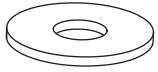
B9 (x1)
Wrench

Step 1: Using 4x M5x10 Screws (B1) and 4x M5-0.80 Lock Nuts (B2), secure 2x Mounting Brackets (A3) to Slider (A2). Use the Wrench (B9) to hold the M5-0.80 Lock Nut (B2) in place while tightening the M5x10 Screw (B1) with the Hex Key (B7).

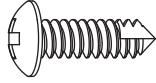


Assembly & Installation

STEP 2: Mount to Tabletop



B3 (x8)
D5 Washer

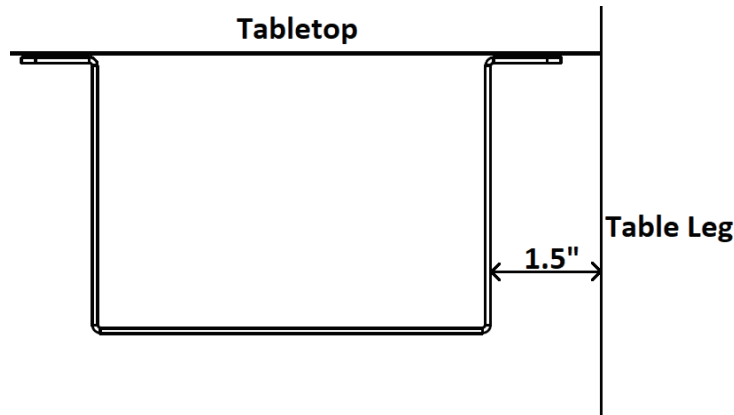


B4 (x8)
ST4.2x19 Screw



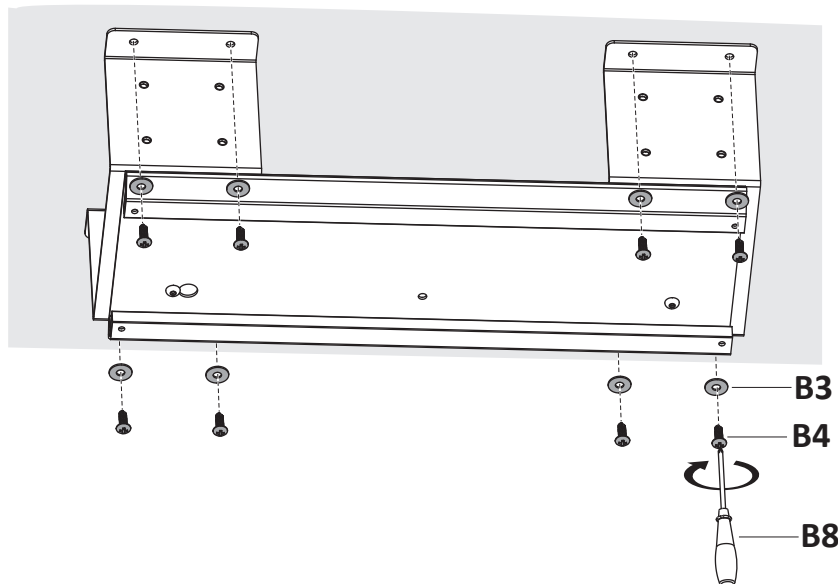
B8 (x1)
Phillips Head Screwdriver

Step 2A: Place the mounting bracket at desired location under the desk. Mark the hole locations for screwing the brackets to the tabletop. Leave at least a 1.5" gap between the table leg and bracket.



Step 2B: Place a D5 Washer (B3) onto ST4.2x19 Screw (B4). Repeat for all 8 screws.

Step 2C: Using the Phillips Head Screwdriver (B8), screw on the brackets to the marked locations with 8x ST4.2x19 Screws (B4) and D5 Washers (B3).



Assembly & Installation

STEP 3: Install Protective Pads



A1 (x1)

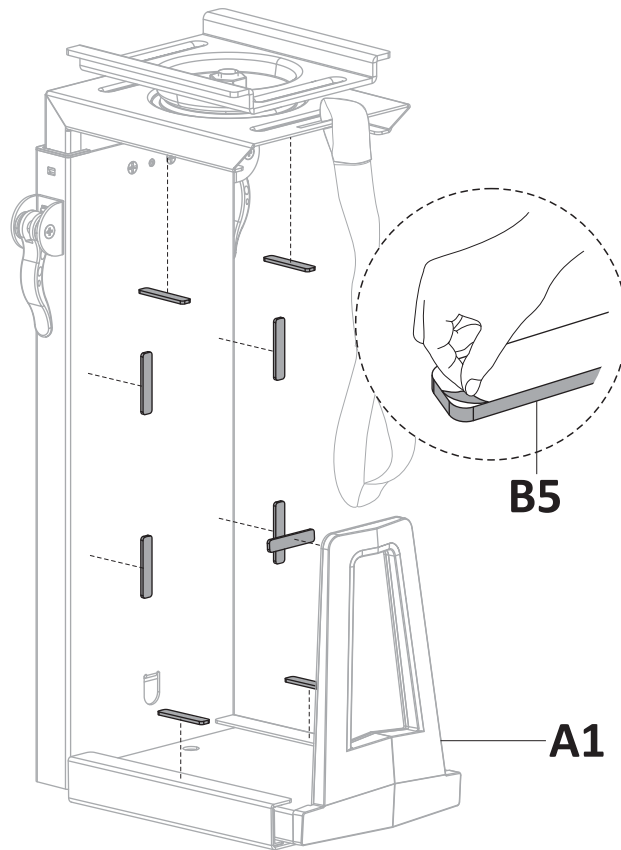
Swivel CPU Mount



B5 (x9)

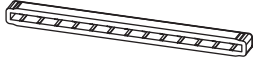
Foam Pads

Step 3: Remove the liner from the Foam Pads (B5) and carefully attach them to the locations shown below on the Swivel CPU Mount (A1), to protect your PC from any scratches.



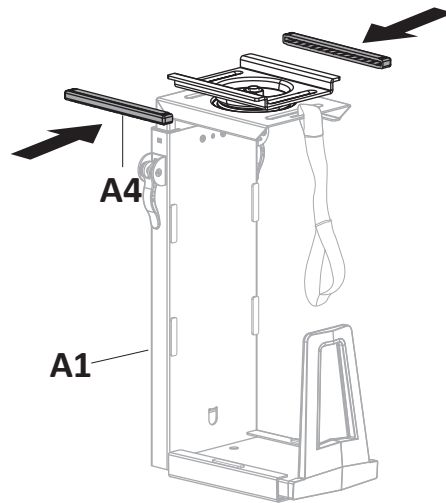
Assembly & Installation

STEP 4: Install CPU Holder

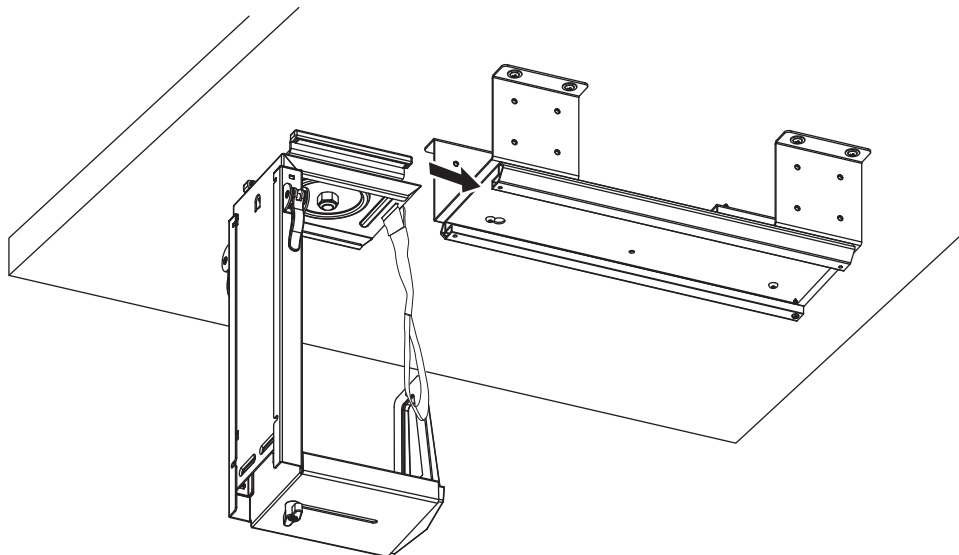


A4 (x2)
Slider Adaptor

Step 4A: Attach the Slider Adaptor (A4) to the Swivel CPU Mount (A1).

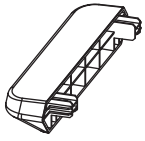


Step 4B: Insert the Swivel CPU Mount (A1) into the Slider (A2).

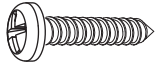


Assembly & Installation

STEP 5: Install Slider End Caps



A5 (x2)
Slider End Cap

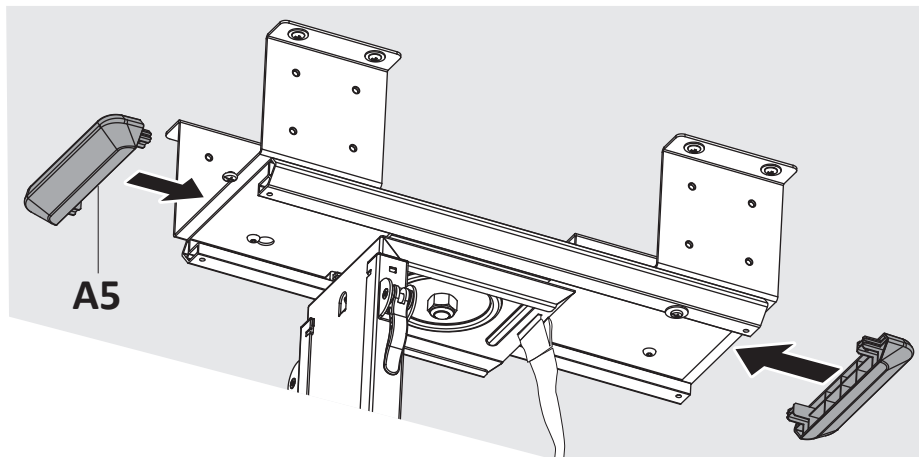


B6 (x4)
ST3.5x20 Screw

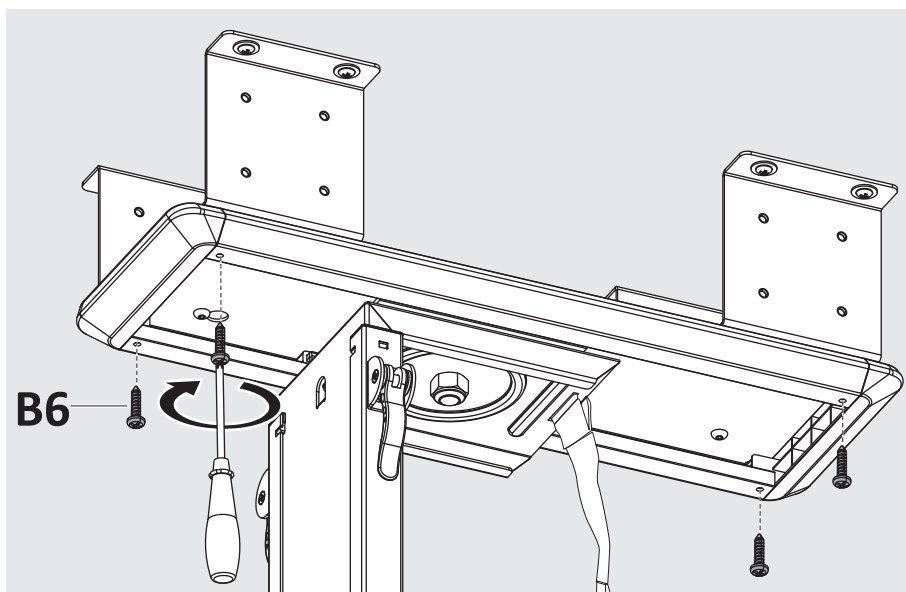


B8 (x1)
Phillips Head Screwdriver

Step 5A: Place the 2x Slider End Caps (A5) into each side of the Slider (A2).



Step 5B: Use the Phillips Head Screwdriver (B8) to install 4x ST3.5x20 Screws (B6).



Assembly & Installation

Step 6: Adjust CPU Holder and Install PC

Step 6A: Loosen the base by turning the knob located on the bottom. Unlock the levers found on both sides of the holder.

Step 6B: Place the PC on the holder and raise the base until it touches the top of the holder. While holding the base so the PC is touching the top, lock the levers on both sides.

Step 6C: Slide the base so that the side panel presses against the PC. Turn the knob on the bottom to lock the base in place.

