



Scan for more information

LG-11-3SS-16- 230-HS-24V

User Manual

Table of Contents

Specifications.....	3
Dimensions.....	4
Connectors.....	5

Have any queries? Our expert engineers are here to help!



sales@progressiveautomations.com



1-800-676-6123



progressiveautomations.com

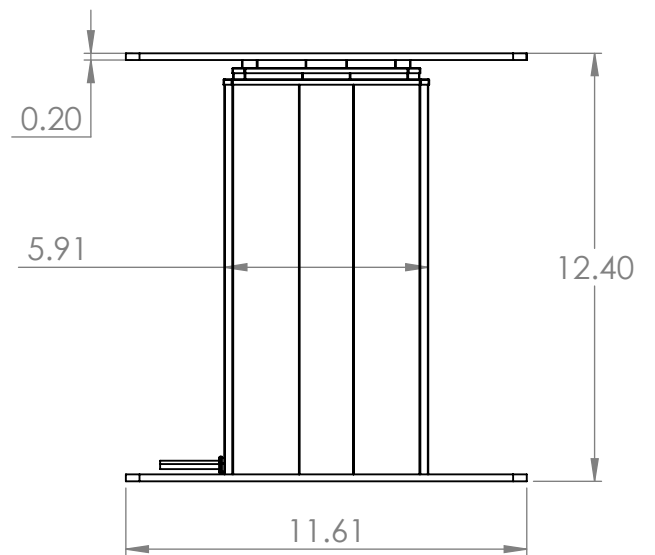
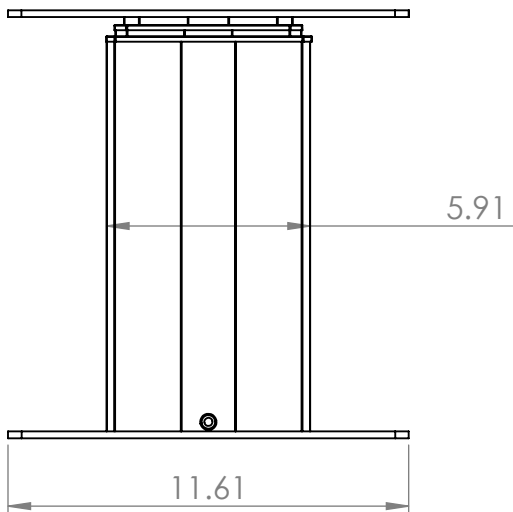
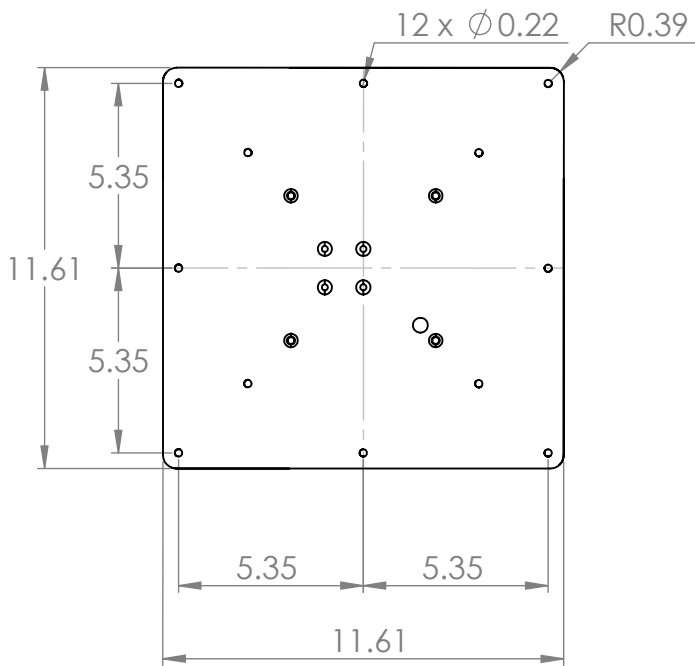
Specifications

Load (LBS)		Speed (inch/sec)		Current (A)	
Dynamic	Static	No Load	Full Load	No Load	Full Load
230	230	0.55	0.45	1.3	6.5

Input Voltage	24 VDC
Stroke	16.5"
Height Range	12.4" to 28.9"
Feedback	Hall Effect
Operational Temperature	5°C to 40°C (41°F to 104°F)
Wire Length	17"
Lifting Mechanism	Brushed DC Motor
Limit Switch	None
Stages	3
Shape	Square
Color	Silver, Black
Leveling	None
Material	Aluminum Alloy
Duty Cycle	10% (2 minutes on, 18 minutes off)
Noise Level	<55 dB from 1.5m
Protection Level	IP54
Unit Weight	32 lb

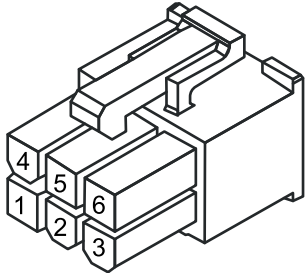
Dimensions

Note: All dimensions are listed in inches.



Connectors

6-Pin Hall Effect Connector (Standard)



Motor		Hall Sensor			
4	5	2	3	1	6
M- (Retract)	M+ (Extend)	GND	+5VDC	Signal 2 Leads when Extending	Signal 1 Leads when Retracting

Component	Part Name	Part Number	Mating Part Number
Housing	Molex Mini-Fit Jr. 6-Pin Receptacle	39-01-2060	39-01-2061
Terminals	Molex Mini-Fit Jr. Female Terminal	39-00-0038	39-00-0040

Hall Effect Specifications

Output Signal Extending		Output Signal Retracting	
Hall Effect 1 Signal		Hall Effect 1 Signal	
Hall Effect 2 Signal		Hall Effect 2 Signal	