



Scan for more information

# LG-02-3RM-25- 180-HS-24V

---

User Manual

# Table of Contents

Specifications.....	3
Dimensions.....	4
Wiring Diagram.....	5
Connectors.....	6
Operations.....	7
Troubleshooting.....	9

Have any queries? Our expert engineers are here to help!



[sales@progressiveautomations.com](mailto:sales@progressiveautomations.com)



1-800-676-6123



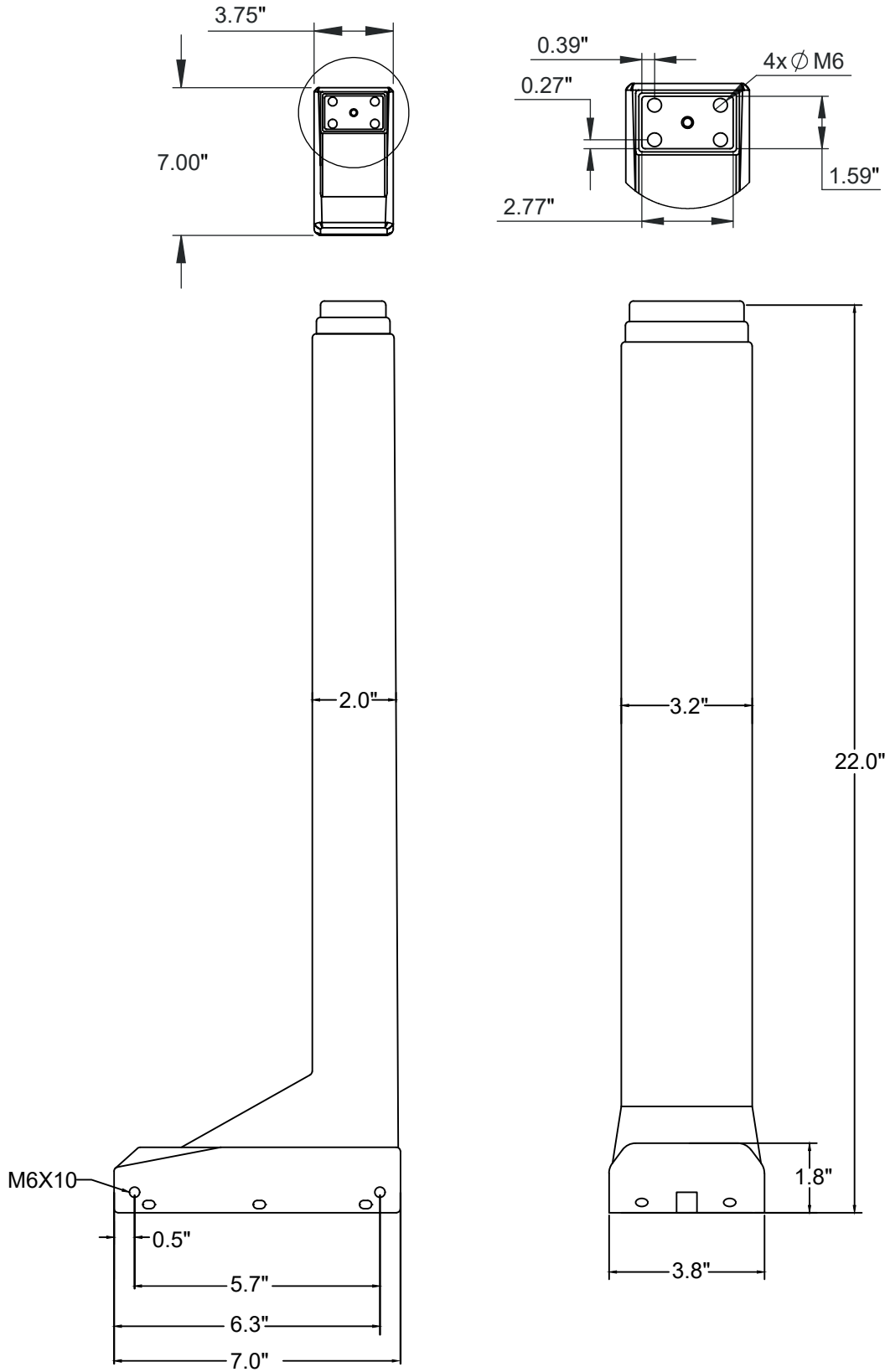
[progressiveautomations.com](http://progressiveautomations.com)

# Specifications

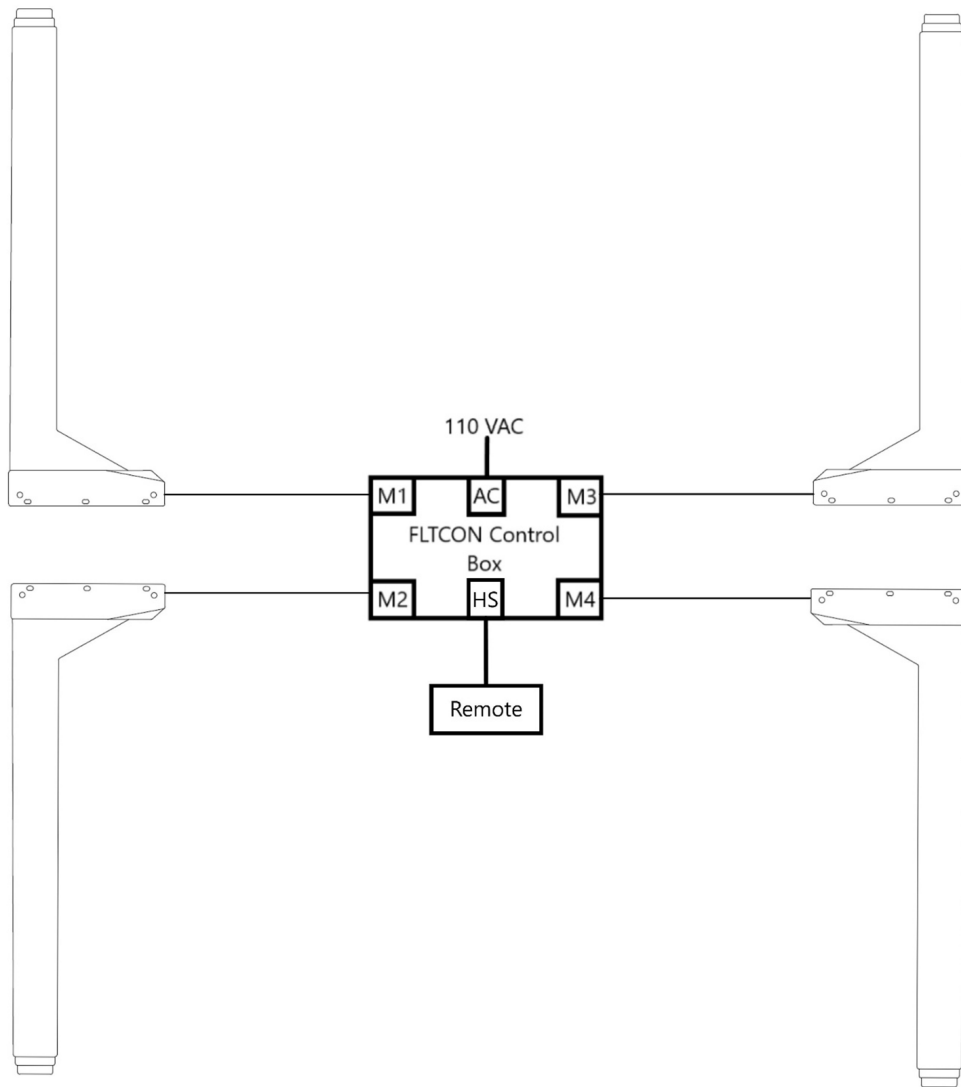
Load (LBS)		Speed (inch/sec)		24 VDC	
Dynamic	Static	No Load	Full Load	No Load Current (A)	Full Load Current (A)
180	180	1.57	1.18	1.5	5

<b>Stroke</b>	25.5"
<b>Limit Switch</b>	Internal - Non-Adjustable
<b>Feedback</b>	Hall Effect
<b>Lifting Mechanism</b>	Brushed DC Motor
<b>Wire Length</b>	12"
<b>Shape</b>	Rectangular
<b>Color</b>	Gray, Black, White
<b>Housing Material</b>	Steel
<b>Noise</b>	<50 dB from 1.5m
<b>Duty Cycle</b>	10% (2 minutes on, 18 minutes off)
<b>Operational Temperature</b>	5°C to 40°C (41°F to 104°F)
<b>Protection Class</b>	IP51
<b>Unit Weight</b>	23.1 lb

# Dimensions

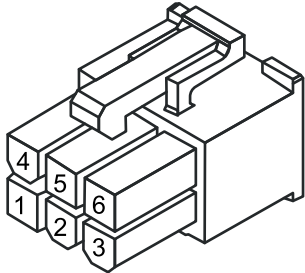


# Wiring Diagram



# Connectors

## 6-Pin Hall Effect Connector (Standard)



Motor		Hall Sensor			
4	5	2	3	1	6
M- (Retract)	M+ (Extend)	GND	+5VDC	Signal 2 Leads when Extending	Signal 1 Leads when Retracting

Component	Part Name	Part Number	Mating Part Number
Housing	Molex Mini-Fit Jr. 6-Pin Receptacle	39-01-2060	39-01-2061
Terminals	Molex Mini-Fit Jr. Female Terminal	39-00-0038	39-00-0040

## Hall Effect Specifications

Output Signal Extending		Output Signal Retracting	
Hall Effect 1 Signal		Hall Effect 1 Signal	
Hall Effect 2 Signal		Hall Effect 2 Signal	

# Operations

## REMOTE BUTTON DESCRIPTIONS

---

**Note:** Available Memory Presets are dependent on the remote chosen

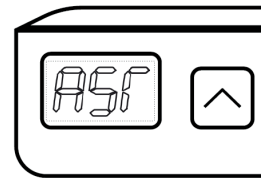
↑	UP - Hold to move desk frame up
↓	DOWN - Hold to move desk frame down
1	Memory Preset 1
2	Memory Preset 5
3	Memory Preset 3
4	Memory Preset 4
M	Memory Preset programming button

## RESET PROCEDURE

---

**WARNING:** During the reset procedure, the column will lower 0.28 inches below the lowest normal operating position. Ensure there are no obstructions in the path of the column. Release the DOWN button to stop motion at anytime if needed.

1. If the remote height display shows "ASr", skip to step 4.
2. Use the DOWN button to move the column to its lowest position. Once at its lowest, release the DOWN button.
3. Press and hold the DOWN button until the Height Display shows "ASr", then release the DOWN button.
4. Press and hold the DOWN button. Allow the column to lower all the way to its minimum height and rise slightly. Release the DOWN button when the Height Display changes.
5. The Height Display will now show the column height and is ready for use.



## HEIGHT CALIBRATION

---

Adjust the Remote Height Display to correspond to the real height of the application the column is installed in. This can vary based on the size of the application attached to the column.

1. Use the DOWN button to bring the column to its lowest position. Record the distance between the floor and the application surface for later use.
2. Press and hold the DOWN button until the Height Display shows "ASr", then release the DOWN button.
3. Press and hold the M button until the height display flashes.
4. Use the UP and DOWN buttons to match the height display with your measured height from Step 1.
5. Once the correct value is displayed, wait until the Height Display flashes "ASr". Utilize Step 3 again to re-adjust the height further if needed.
6. Press and hold the DOWN button until the Height Display shows "ASr", then release the DOWN button. The deskframe will move down slightly and then up again during this step.
7. Once your desired Height Calibration is set, the remote's Height Display will show this value, indicating that the column is ready for use.

# Operations

## REMOTE LOCK

---

The Remote Lock feature allows you to lock the remote buttons so that no one can accidentally press them and change the settings.

### To Lock

Press and hold the M button until the remote height display shows "S-", followed by the column height, and then "LOC". This indicates that the remote's control buttons are now locked.

### To Unlock

Press and hold the M button until the height display shows the column height. The remote's control buttons are now unlocked.

## MEMORY PRESET ONE-TOUCH AND CONSTANT-TOUCH MODES

---

By default, the control box is set to **One-Touch mode**. The memory preset button only needs to be pressed once to recall the desired preset height. Pressing any button during motion will stop the column.

In **Constant-Touch mode**, the memory preset button must be pressed throughout the entire motion until the desired preset height is reached. If the memory preset button is released, the column will stop moving.

1. Use the DOWN button to move the column to its lowest position. Once at its lowest, release the DOWN button.
2. Press and hold the DOWN button until the Height Display shows "ASr", then release the DOWN button.
3. Hold the 1 button to cycle through the different Touch Modes. Release once the display shows the code corresponding to the desired setting below. "ASr" will show again after releasing the button which confirms the setting.

"10.1" - One-Touch

"10.2" - Constant-Touch

4. Press and hold the DOWN button until the Height Display shows "ASr", then release the DOWN button. The column will move down slightly and then up again.
5. The Height Display will now show the column height, indicating that the Touch Mode change was successful and the column is now ready for use.

## USER DETERMINED MAXIMUM AND MINIMUM HEIGHT LIMITS

---

### SETTING MAXIMUM HEIGHT LIMIT

1. Use the UP or DOWN button to bring the column to the desired maximum height limit.
2. Press the M button once. "S-" will appear on the display screen.
3. Press the UP button once, the "S-" will flash once.
4. Hold the M button until the display shows "999". Release the M button.
5. The Maximum Height Limit is now set and the column is now ready for use.

### SETTING MINIMUM HEIGHT LIMIT

1. Use the UP or DOWN button to bring the column to the desired minimum height limit.
2. Press the M button once. "S-" will appear on the display screen.
3. Press the DOWN button once, the "S-" will flash once.
4. Hold the M button until the display shows "000". Release the M button.
5. The Minimum Height Limit is now set and the column is now ready for use.

### REMOVING MAXIMUM/MINIMUM HEIGHT LIMITS

Performing this procedure will reset both Maximum and Minimum limits.

1. Press the M button once. "S-" will appear on the display screen.
2. Hold the M button until the display shows "555". Release the M button.
3. Both the Maximum and Minimum height limits are now removed and the column is now ready for use.



# Troubleshooting

## Common Problems

Problem	Description	Solution
Columns are not level	Connection issue	Disconnect and reconnect the cables between the following (Column, Control Box, AC Power), then initiate the Reset Procedure.
	Weight issue	Ensure weight on column is evenly distributed and does not exceed column limits, then initiate the Reset Procedure.
Remote height is not displayed	Low Power Mode	Press any button on the Remote to reactivate the display.
	Connection issue	<ul style="list-style-type: none"> <li>• Ensure Remote and Power Cord connection to Control Box is secure.</li> <li>• Check that remote plug and control box part is free of damage.</li> </ul>
Column height is not displayed	Max./Min height limits reached	Ensure the Max/Min Height Limits have not been reached.
	Connection issue	<ul style="list-style-type: none"> <li>• Disconnect and reconnect all cables connected to Control Box.</li> <li>• Ensure all cables are secured to the Control Box and free of damage.</li> </ul>
Significantly slower movement	Overweight	<ul style="list-style-type: none"> <li>• Ensure weight on the column is evenly distributed</li> <li>• Check that the total weight on the column does not exceed limits.</li> </ul>
Unusual noise during travel	Overweight	<ul style="list-style-type: none"> <li>• Ensure weight on the column is evenly distributed</li> <li>• Check that the total weight on the column does not exceed limits.</li> </ul>
Columns stops abruptly	Obstruction	Ensure there are no obstructions affecting the column's travel path.

## Error Codes (Remotes with Height Display)

Code	Description	Solution
E01 - E04	Power issue	<ul style="list-style-type: none"> <li>• Ensure the wall outlet the column uses is not faulty.</li> <li>• Ensure all parts in the column are authentic and compatible.</li> <li>• Initiate Reset Procedure to clear the error after the above is checked.</li> </ul>
E07	M1 - Connectivity issue	<ul style="list-style-type: none"> <li>• Ensure all column wires are securely connected to the Control Box and cables are free of damage.</li> <li>• Ensure there are no obstructions affecting the column's travel path.</li> <li>• Ensure weight on column is evenly distributed and does not exceed column limits.</li> <li>• Initiate Reset Procedure to clear the error after the above is checked.</li> </ul>
E08	M2 - Connectivity issue	
E09	M3 - Connectivity issue	
E10	M4 - Connectivity issue	
H01	Over heat / Duty Cycle protection	<ul style="list-style-type: none"> <li>• Allow the system to rest for 18 minutes before using again.</li> <li>• Follow the Duty Cycle rating listed in Specifications section to prevent overheating.</li> </ul>



Have any queries? Our expert engineers are here to help!



[sales@progressiveautomations.com](mailto:sales@progressiveautomations.com)



1-800-676-6123



[progressiveautomations.com](http://progressiveautomations.com)