

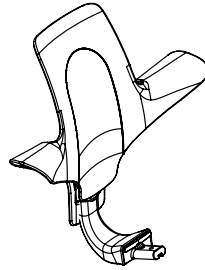
# HÅG Capisco & HÅG Capisco Puls

INS-P8000-R3-PAC

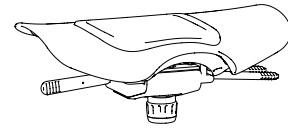
## ASSEMBLY INSTRUCTIONS

9to5<sup>®</sup>  
seating

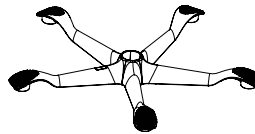
### PARTS



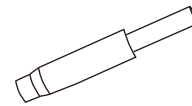
Back (x1)



Seat (x1)



Base (x1)



Cylinder (x1)



Casters (x5)

### TOOLS



Allen Wrench (x1)  
(attached to the bag with casters)

### HARDWARE



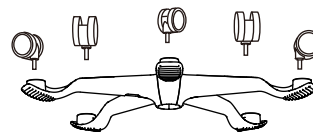
Bolts (x1)  
(attached to the mechanism)

All parts come pre-attached in the back and/or seat.  
Missing parts or hardware? Call 888.925.SEAT

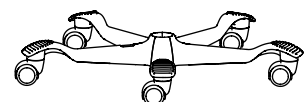
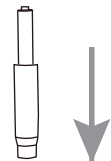
### STEP 1

Attach the casters and cylinder to the 5-star base.

**1A.** Firmly press the stems of 5 casters into the 5 holes in the base.

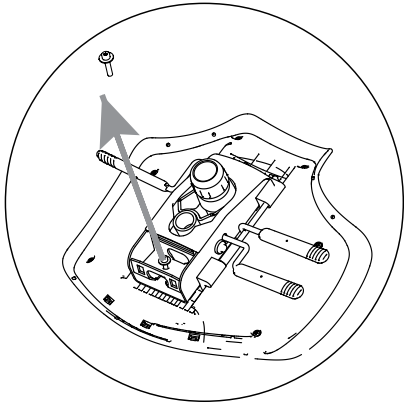


**1B.** Insert cylinder into the center hole.

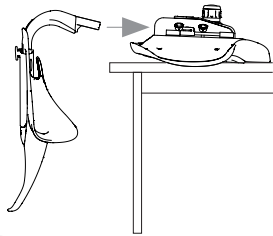


## STEP 2

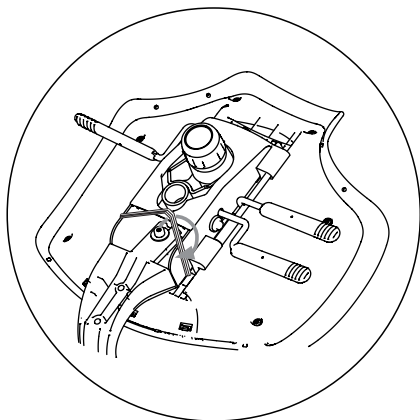
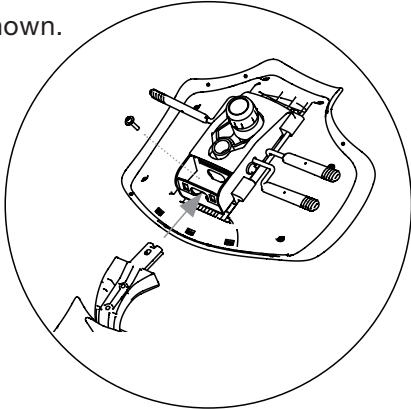
Attach the back to the seat.



**2A.** Using the Allen wrench, remove the single bolt from the mechanism.



**2B.** Place the back plate under the seat as shown.



**2C.** Using the Allen wrench, tighten the bolt from the top.

## STEP 3

Join the back and seat with the cylinder and base.

Insert the assembled back/seat unit onto the cylinder, which was placed in the base in Step 1. Press down firmly to secure.

